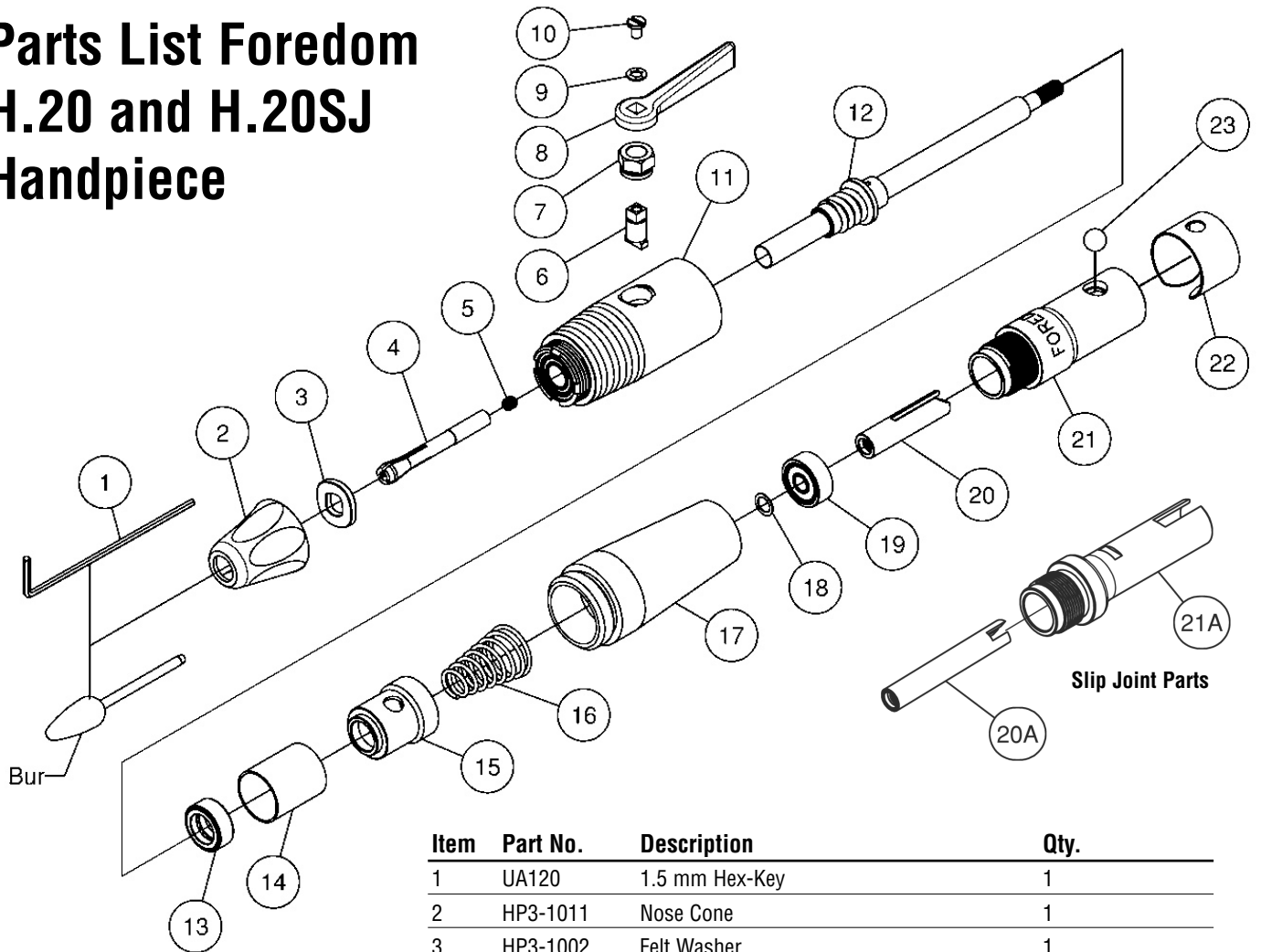


Parts List Freedom H.20 and H.20SJ Handpiece



| Item | Part No. | Description | Qty. |
|------|----------|---|------|
| 1 | UA120 | 1.5 mm Hex-Key | 1 |
| 2 | HP3-1011 | Nose Cone | 1 |
| 3 | HP3-1002 | Felt Washer | 1 |
| 4 | HP3-1008 | Collet | 1 |
| 5 | HP3-1022 | Collet Locking Set Screw, M3 x 3mm | 1 |
| 6 | HP3-1003 | Actuating Cam | 1 |
| 7 | HP3-1006 | Cam Bushing | 1 |
| 8 | HP3-1015 | Lever | 1 |
| 9 | HP3-1027 | Internal Tooth Washer, Ø2.7mm | 1 |
| 10 | HP3-1026 | Screw, M2.5 x 4mm | 1 |
| 11 | HP3-1040 | Front Housing and Bearing Assembly | 1 |
| 12 | HP3-1045 | Spindle Assembly | 1 |
| 13 | HP3-1020 | Center Bearing | 1 |
| 14 | HP3-1010 | Bearing Cup | 1 |
| 15 | HP3-1009 | Alignment Bushing | 1 |
| 16 | HP3-1005 | Spring, Lever Return | 1 |
| 17 | HP3-1018 | Rear Housing | 1 |
| 18 | HP3-1025 | Spacer, Bearing | 1 |
| 19 | HP3-1024 | Rear Bearing | 1 |
| 20 | HP3-1007 | Slotted Shaft Connector | 1 |
| 20A | HP3-1035 | Slip Joint Shaft Connector, H.20 Handpiece | |
| 21 | HP3-1016 | Q.D. Connector | 1 |
| 21A | HP3-1036 | Slip Joint Q.D., H.20 Handpiece | |
| 22 | HP43 | Catch Spring | 1 |
| 23 | HP48 | Catch Ball | 1 |

FOREDOM®
The Freedom Electric Company

16 Stony Hill Road, Bethel, CT 06801, USA

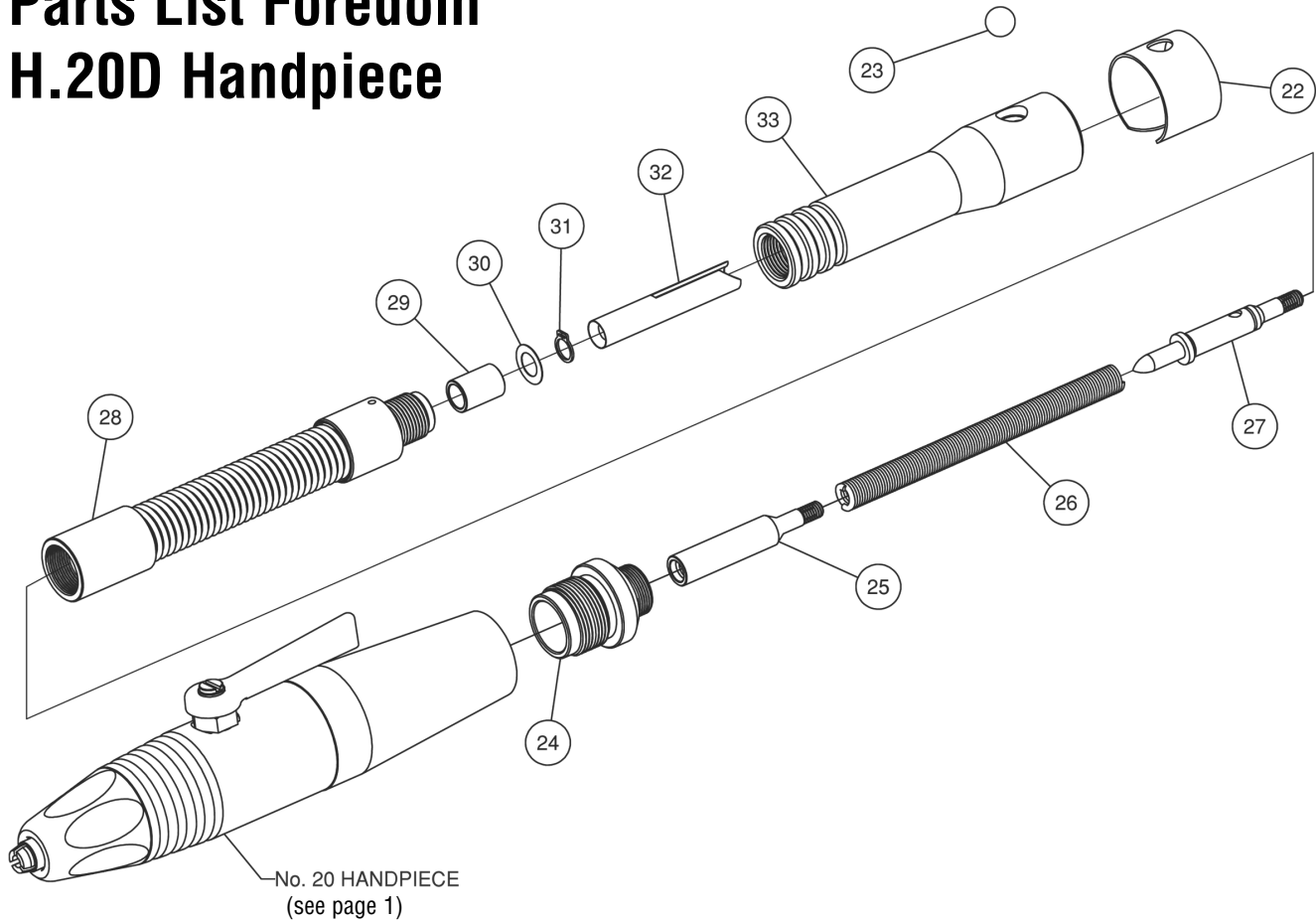
Tel.: 203-792-8622 • Fax: 203-796-7861

www.freedom.net

E-mail:

customerservice@blackstoneind.com

Parts List Freedom H.20D Handpiece



| Item | Part No. | Description | Qty. |
|------|----------|--|------|
| 22 | HP43 | Catch Spring | 1 |
| 23 | HP48 | Catch Ball | 1 |
| 24 | HP3-1032 | Duplex Q.D. Adapter, H.20 Handpiece | 1 |
| 25 | HP3-1031 | Duplex Spindle Adapter Screw, No. 20 Handpiece | 1 |
| 26 | HP76 | Duplex Inner Spring | 1 |
| 27 | HP75 | Duplex Axle | 1 |
| 28 | HP74 | Duplex Cover Assembly | 1 |
| 29 | HP51S | Sleeve Bearing | 1 |
| 30 | HP47 | Washer | 1 |
| 31 | HP10531 | External Retaining Ring | 1 |
| 32 | HP46 | Slotted Shaft Connector | 1 |
| 33 | HP42 | Q.D. Connector | 1 |

FOREDOM[®]
The Freedom Electric Company

16 Stony Hill Road, Bethel, CT 06801, USA

Tel.: 203-792-8622 • Fax: 203-796-7861

www.foredom.net

E-mail:

customerservice@blackstoneind.com