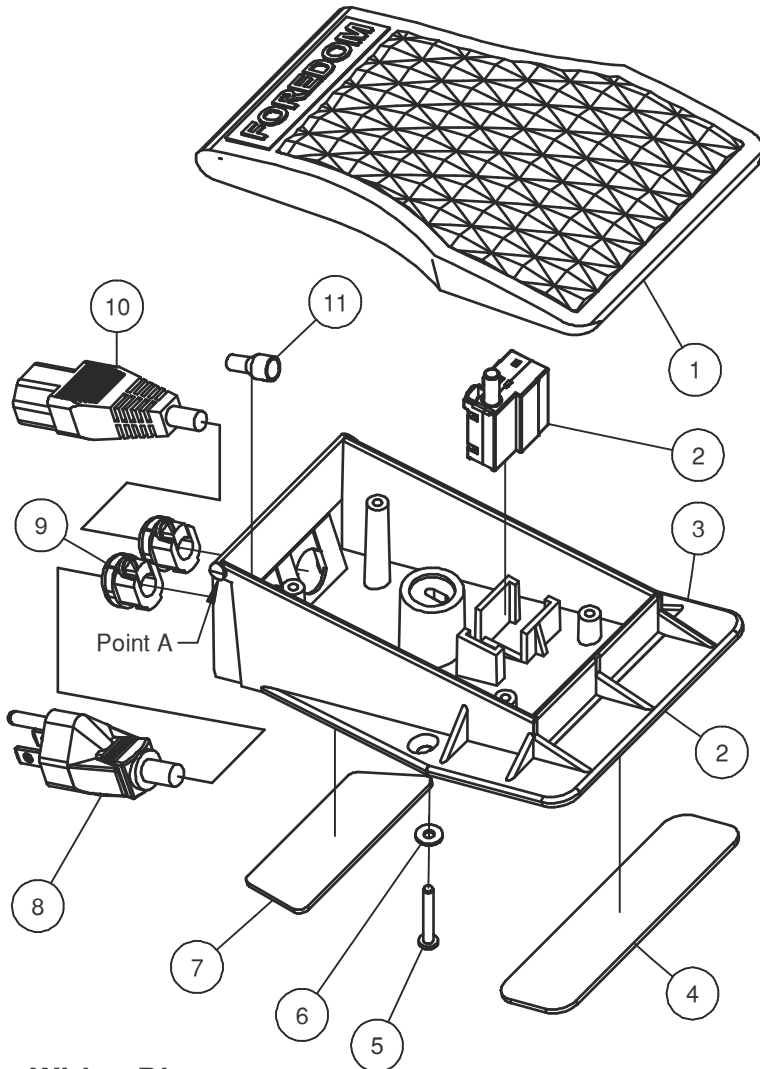


Parts List

C.FCH-2* & C.FCT-2
Foot Control, 230V



Instructions for Removing and Replacing Trigger Switch

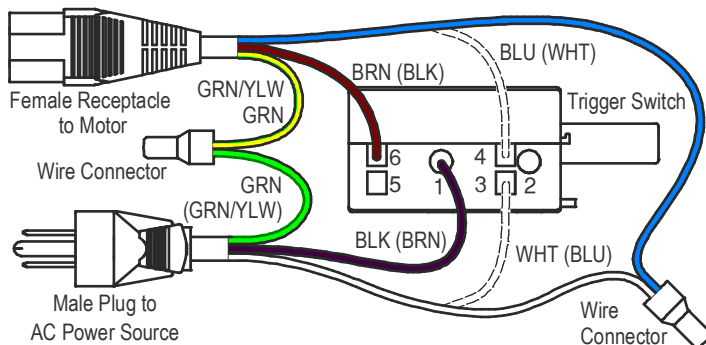
Disconnect Foot Control from Motor and Wall Outlet.

1. Unscrew cover adjustment screw (5).
2. Using flat blade of screwdriver inserted at Point A between Cover (1) and Base (3), carefully pry Cover off.
3. Remove Trigger Switch (2) from Base mounting bracket.
4. On older Switches, all the terminals will be push-in, spring clamp type. On newer Switches, some terminals have screw fasteners. To remove wires from the push-in terminals, insert 1.3mm [.05in] approximate diameter pin or the blade of a jeweler's screwdriver all the way into the terminal socket to release the spring clamp. Grasp the tool and wire and pull them together out of the socket. If you have difficulty removing the wires from the push-in terminals and you have wire-cutting, stripping, and soldering tools, you can cut the wires off where they exit from the terminals. To prepare the cut wires for installation into the replacement Switch, strip them back exactly 8.25 mm [5/16 in], then apply solder to the stripped ends to fuse the strands together.
5. **Connect Wires to New Trigger Switch as shown in the Wiring Diagram.** Push wires all the way in, so no bare wire is exposed. On Screw Terminal 1, push wire lead all the way into the socket then tighten the screw firmly. Push other wire leads all the way into the designated terminals. Pull on all the wires, making sure they are secure. Place Switch back into Base mounting bracket.
6. Position wires around adjustment screw post so wires will not interfere with cover travel.
7. Snap cover (1) onto hinge posts on top of rear corners of base (3).
8. Insert adjustment screw (5) through washer (6) and into post slot and threaded insert in cover (1). Tighten with screwdriver until cover is just touching the trigger switch pushrod. **Do not tighten the screw further** to avoid pressing the Switch Pushrod into a permanently "on" position.

Wiring Diagram

*C.FCH-2 is required for use with the latest SR 230V motors produced since May 2006.

Most Foot Controls have BLU(WHT) wires connected by a Wire Connector as shown. Leave them connected, and connect only the BRN(BLK) wires to Terminals 1 and 6 on the new Trigger Switch. Otherwise connect all four wires to the Switch as indicated by the dotted wires.



Item	Part No.	Description	Qty
1	CP10852B	Cover	1
2	CP11027	Trigger Switch, 250V	1
3	CP10851	Base	1
4	CP10859	Front Base Pad	1
5	CP10856	Screw, 6-32 x 1"	1
6	CP10862	Washer, #6	1
7	CP10860	Rear Base Pad	1
8	CP10541	Male Cordset or Substitute Option	1
9	CP10003-3	Strain Relief	2
10	CP10542	Female Cordset (FCT-2)	1
	CP10868	Female Cordset (FCH-2)	
11	CP11029	Wire Connector	1

Cordset Option	Part No.	Description
CPOption20	CP10545	No Plug, Europe
CPOption21	CP10553	Male, United Kingdom
CPOption22	CP10554	Male, Continental Europe
CPOption25	CP10555	Male India 10A
CPOption26	CP10556	Male, Australia

FOREDOM® Freedom Electric Company
16 Stony Hill Rd., Bethel, CT 06801 • 203-792-8622
Fax: 203-796-7861 • www.foredom.net