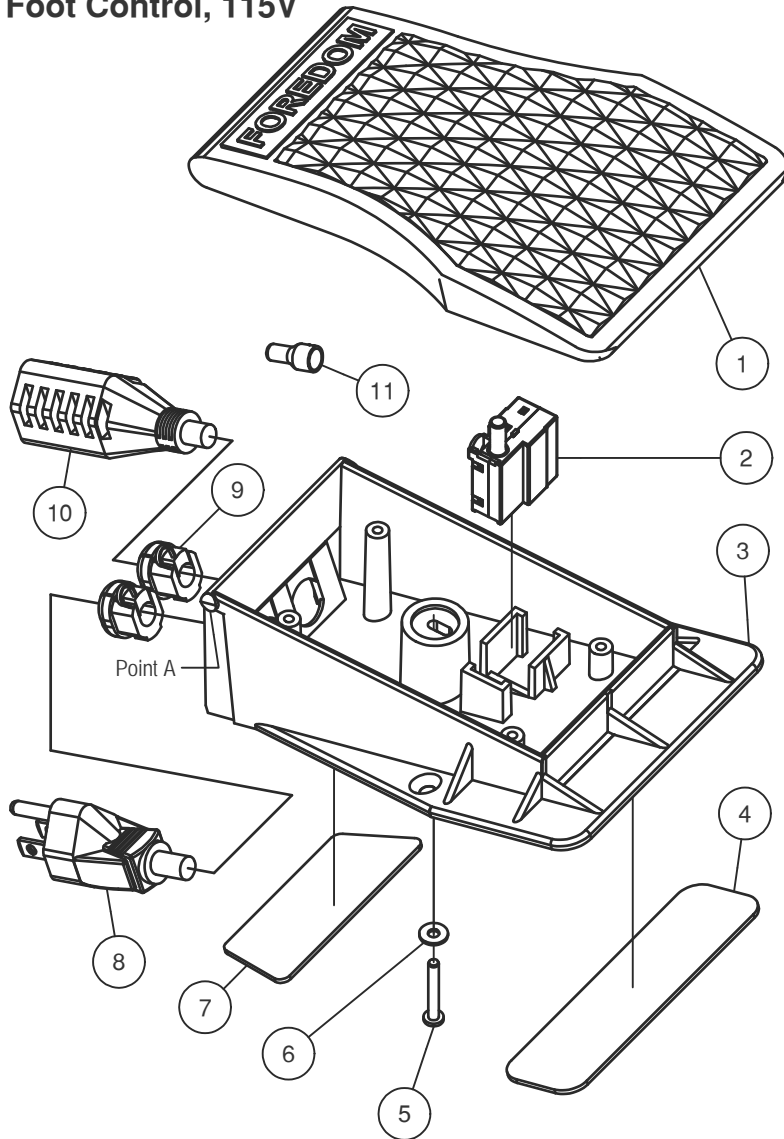


Parts List

C.FCT-1 and C.FCH-1
Foot Control, 115V

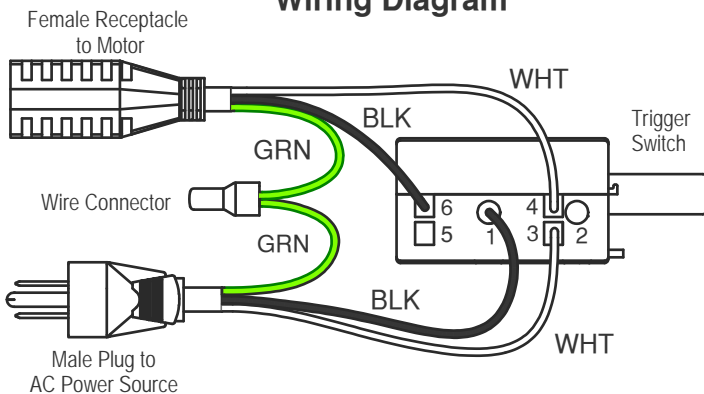


Instructions for Removing and Replacing Trigger Switch

Disconnect Foot Control from Motor and Wall Outlet.

1. Unscrew cover adjustment screw (5).
2. Using flat blade of screwdriver inserted at Point A between Cover (1) and Base (3), carefully pry Cover off.
3. Remove Trigger Switch (2) from Base mounting bracket.
4. On older Switches, all the terminals will be push-in, spring clamp type. On newer Switches, some terminals have screw fasteners. To remove wires from the push-in terminals, insert 1.3mm [.05in] approximate diameter pin or the blade of a jeweler's screwdriver all the way into the terminal socket to release the spring clamp. Grasp the tool and wire and pull them together out of the socket. If you have difficulty removing the wires from the push-in terminals and you have wire-cutting, stripping, and soldering tools, you can cut the wires off where they exit from the terminals. To prepare the cut wires for installation into the replacement Switch, strip them back exactly 8.25 mm [5/16 in], then apply solder to the stripped ends to fuse the strands together.
5. **Connect Wires to New Trigger Switch as shown in the Wiring Diagram.** Push wires all the way in, so no bare wire is exposed. On Screw Terminal 1, push wire lead all the way into the socket then tighten the screw firmly. Push other wire leads all the way into the designated terminals. Pull on all the wires, making sure they are secure. Place Switch back into Base mounting bracket.
6. Position wires around adjustment screw post so wires will not interfere with cover travel.
7. Snap cover (1) onto hinge posts on top of rear corners of base (3).
8. Insert adjustment screw (5) through washer (6) and into post slot and threaded insert in cover (1). Tighten with screwdriver until cover is just touching the trigger switch pushrod. **Do not tighten the screw further** to avoid pressing the Switch Pushrod into a permanently "on" position.

Wiring Diagram



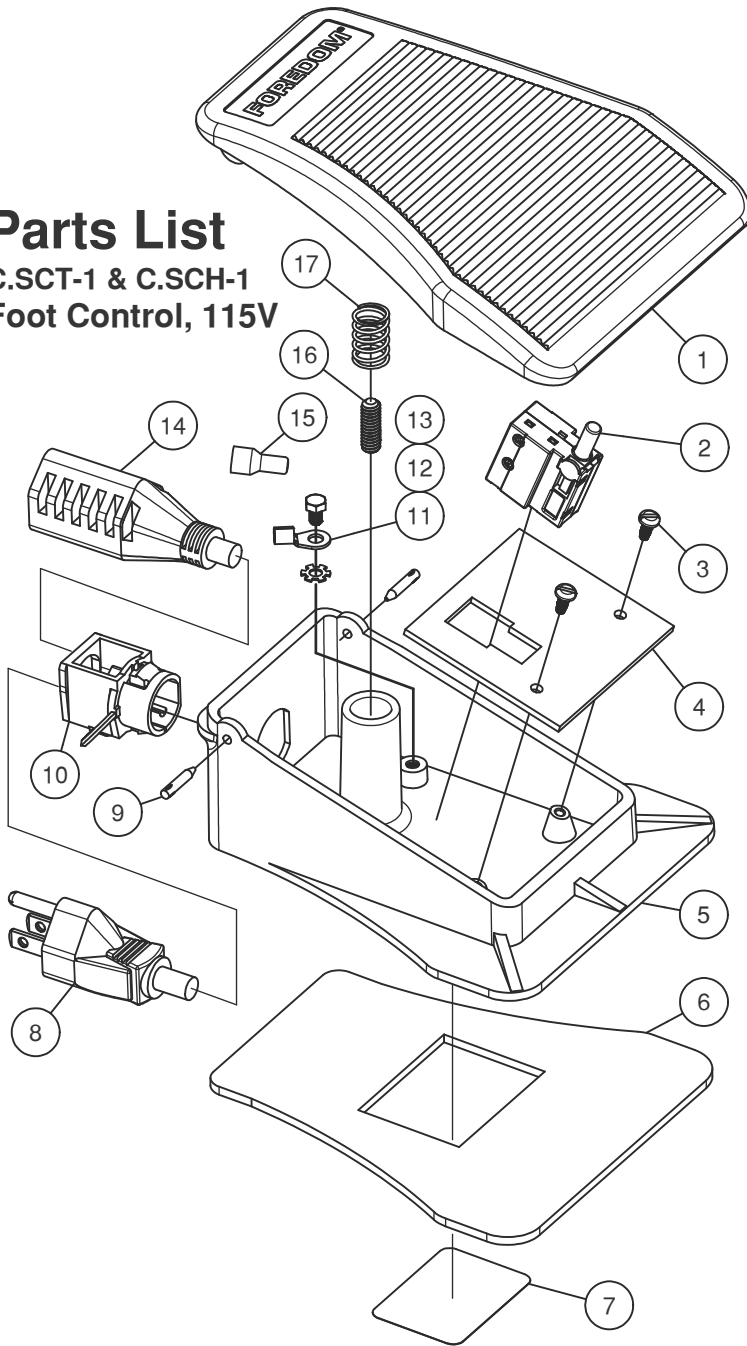
Item	Part No.	Description	Qty
1	CP10852A	Cover	1
2	CP10857	Trigger Switch, 125V	1
3	CP10851	Base	1
4	CP10859	Front Base Pad	1
5	CP10856	Screw, 6-32 x 1"	1
6	CP10862	Washer, #6	1
7	CP10860	Rear Base Pad	1
8	CP10541	Male Cordset	1
9	CP10003-3	Strain Relief	2
10	CP10542	Female Cordset (FCT-1)	1
	CP10830	Female Cordset (FCH-1)	
11	CP11029	Wire Connector	1

FOREDOM® The Freedom Electric Company
16 Stony Hill Rd., Bethel, CT 06801 • 203-792-8622
Fax: 203-796-7861 • www.foredom.net

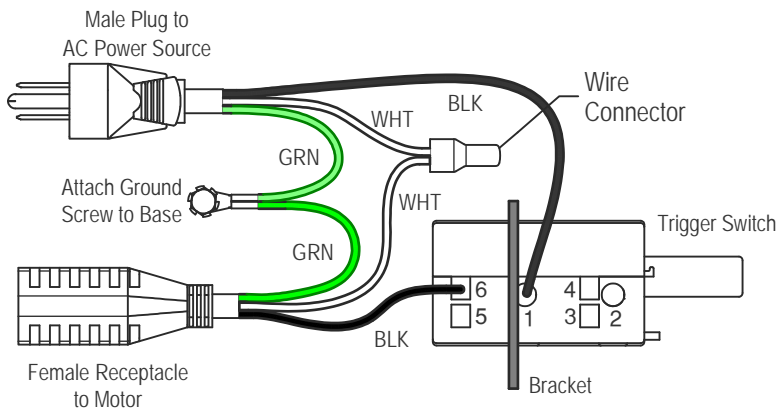
Form DN 12/10

Parts List

C.SCT-1 & C.SCH-1 Foot Control, 115V



Wiring Diagram



Instructions for Removing and Replacing Trigger Switch

Disconnect Foot Control from Motor and Wall Outlet.

1. With a punch and hammer drive two Pins (9) in until Cover (1) lifts from each side of Base (5).
2. Remove Cover and drive Pins outward with hammer and punch to remove.
3. Remove two Screws (3) from Bracket (4). After the wires have been removed from the switch, as instructed in paragraph 4, remove the switch from the board, insert the new switch in its place, and follow the instructions in paragraph 5 and 6.
4. On older Switches, all the terminals will be push-in, spring clamp type. On newer Switches, Terminal 1 has a screw for fastening the wire lead. To remove wires from the push-in terminals, insert 1.3mm [.05in] approximate diameter pin or the blade of a jeweler's screwdriver all the way into the terminal socket to release the spring clamp. Grasp the tool and wire and pull them together out of the socket. If you have difficulty removing the wires from the push-in terminals and you have wire-cutting, stripping, and soldering tools, you can cut the wires off where they exit from the terminals. To prepare the cut wires for installation into the replacement Switch, strip them back exactly 8.25 mm [5/16 in], then apply solder to the stripped ends to fuse the strands together.
5. Insert new Trigger Switch into Bracket.
6. **Connect Wires to New Trigger Switch as shown in the Wiring Diagram.** Push wires all the way in, so that no bare wire is exposed. On Screw Terminal 1, push the wire lead all the way into the socket then tighten the screw firmly. Push the other wire lead all the way into terminal 6. Pull on all the wires, making sure they are secure.
7. Install Bracket and Switch into Base using two Screws (3).
8. Position wires around post of Base so wires will not interfere with Cover travel.
9. Install Cover over Spring (17) and align holes to Base. Insert Pins (9) and seat them with hammer.

Item	Part No.	Description	Qty
1	CP10691	Cover	1
2	CP10857	Trigger Switch, 125V	1
3	CP10571	Screw, 6-32 x 5/16"	2
4	CP11030	Bracket	1
5	CP10690	Base	1
6	CP10753	Base Pad	1
7	SCT-1.LAB	Specification Label	1
8	CP10541	Male Cordset	1
9	CP10584C	Hinge Pin	2
10	CP10578	Grommet	1
11	CP10580	Terminal Ring	1
12	CP10564	Lock Washer, #8	1
13	CP10563	Screw, 8-32 x 1/4"	1
14	CP10542	Female Cordset (SCT-1)	1
	CP10830	Female Cordset (SCH-1)	
15	CP11029	2 Wire Connector	1
16	CP10562	Set Screw	1
17	CP10588	Spring	1