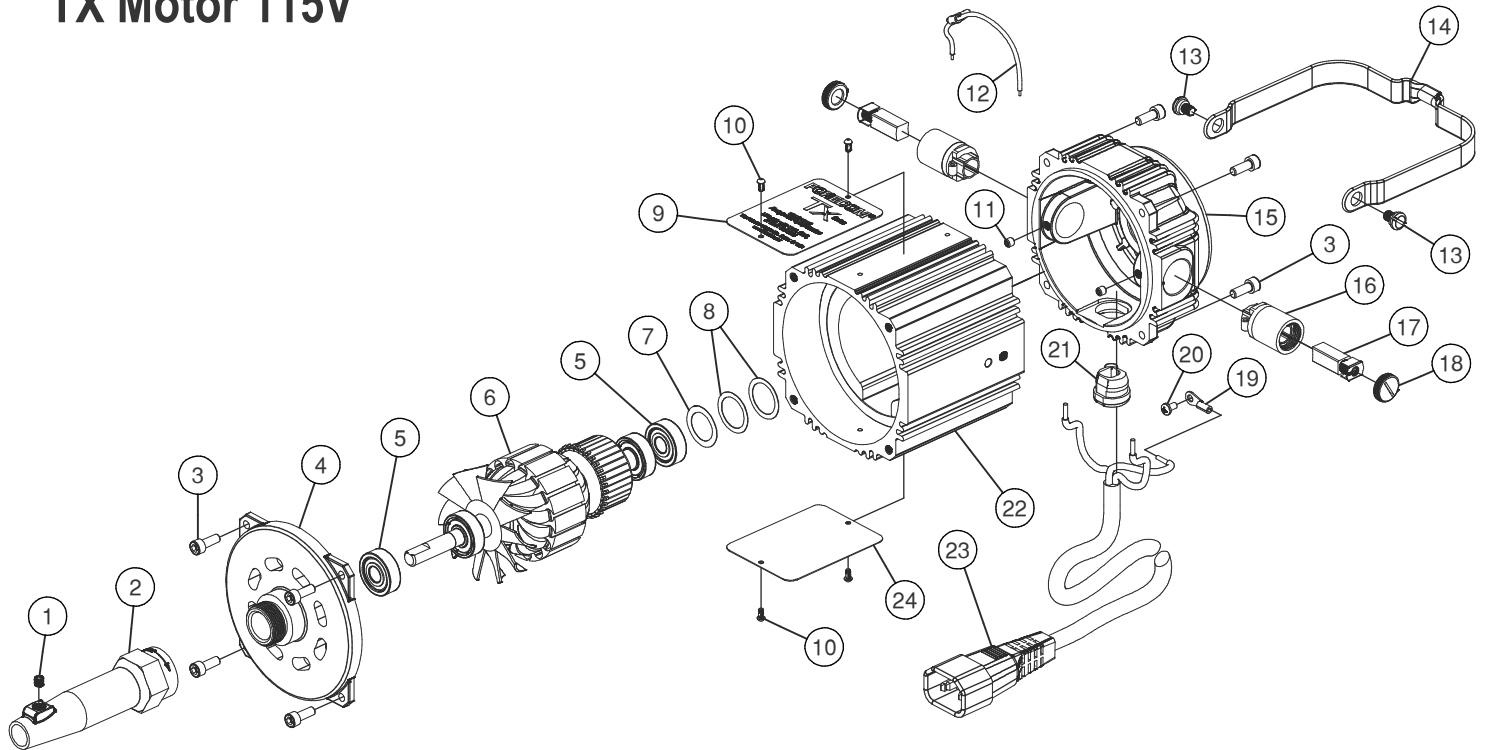


# Parts List

## TX Motor 115V



**Note:**

To identify the model:  
 Currently in production TX Models have labels on both sides of the motor housing. Discontinued TX Models have one Label on one side of the motor.

Item	Part No.	Description	Qty
1	UA113	Set Screw, 8-32 x 3/16, Slotted Headless, Cup Point	1
2	UA111P-R	Motor Connector	1
3	-	Cap Screw 8-32 x 7/16, Hexagon Socket Head	8
4	MP320	End Plate	1
5	HP61	Ball Bearing	2
6	MP439	Armature (Includes 2 Ball Bearings)	1
7	UA810	Wavy Spring Washer	1
8	-	Shim Washer	2
9	UA10395	Nameplate	1
10	UA577	Grooved Stud	4
11	-	Set Screw, M4x0.7 x 4mm, Hexagon Socket Head, Flat Point	2
12	CP10950	Capacitor Assembly	1
13	UA106	Motor Hanger Screw	2
14	UA1059	Motor Hanger	1
15	-	End Bell Housing	1
16	MP195	Brush Tube Assembly	2
17	MP319P	Brush (Pair)	2
18	MP126	Brush Cap	2
19	UA824	Ring Terminal, Ø3mm	1
20	-	Screw, M3x0.5 x 5mm, Cross Recessed Pan Head	1
21	CP10003-4	Strain Relief	1
22	-	Center Housing	1
23	CP10551	Cordset, 60320 Male, 6 1/2 ft	1
24	UA10395-Tx	Specification Label	1

**FOREDOM®**

The Foredom Electric Company

16 Stony Hill Rd., Bethel, CT 06801

Tel: 203-792-8622

Fax: 203-796-7861

www.foredom.net