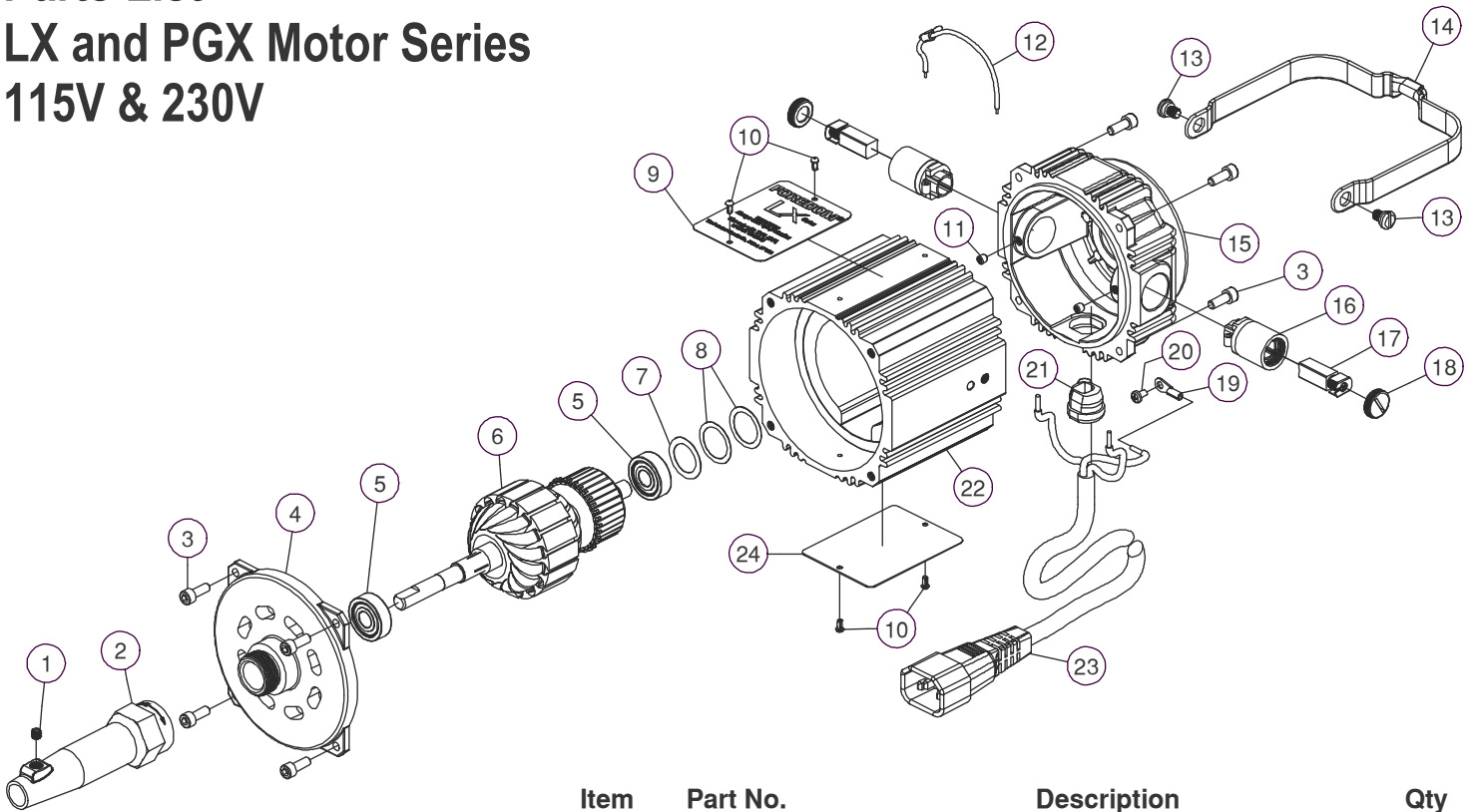


# Parts List

## LX and PGX Motor Series

### 115V & 230V



**Note:**

To identify the model:  
 LX or PGX Models have labels  
 on both sides of the motor housing.  
 Discontinued L & PG Models have  
 one Label on one side of the motor.

Item	Part No.	Description	Qty
1	UA113	Set Screw, 8-32 x 3/16, Slotted Headless, Cup Point	1
2	UA111P-R	Motor Connector	1
3	-	Cap Screw, 8-32 x 7/16, Hexagon Socket Head	8
4	MP320	End Plate	1
5	HP61	Ball Bearing	2
6	MP457	115V Armature (Includes 2 Ball Bearings)	1
	-	230V	
7	UA810	Wavy Spring Washer	1
8	-	Shim Washer	2
9	UA10393	115V Nameplate	1
	UA10394	230V	
10	UA577	Grooved Stud	4
11	-	Set Screw, M4X0.7 x 4mm, Hexagon Socket, Flat Point	2
12	CP10950	Capacitor Assembly	1
13	UA106	Motor Hanger Screw	2
14	UA1059	Motor Hanger	1
15	-	End Bell Housing	1
16	MP127	Brush Tube Assembly	2
17	MP319P	Brush (Pair)	1
18	MP133	Brush Cap	2
19	UA824	Ring Terminal	1
20	-	Screw, M3X0.5 x 5mm, Cross Recessed Pan Head	1
21	CP10003-3	Strain Relief	1
22	-	Center Housing	1
23	CP10829	115V Cordset, 60320 Male, 6 1/2 ft	1
24	UA10393-GEN	115V Specification Label	1
	UA10394-GEN	230V	

# FOREDOM

Foredom Electric Company

16 Stony Hill Rd., Bethel, CT 06801

Tel: 203-792-8622

www.foredom.net