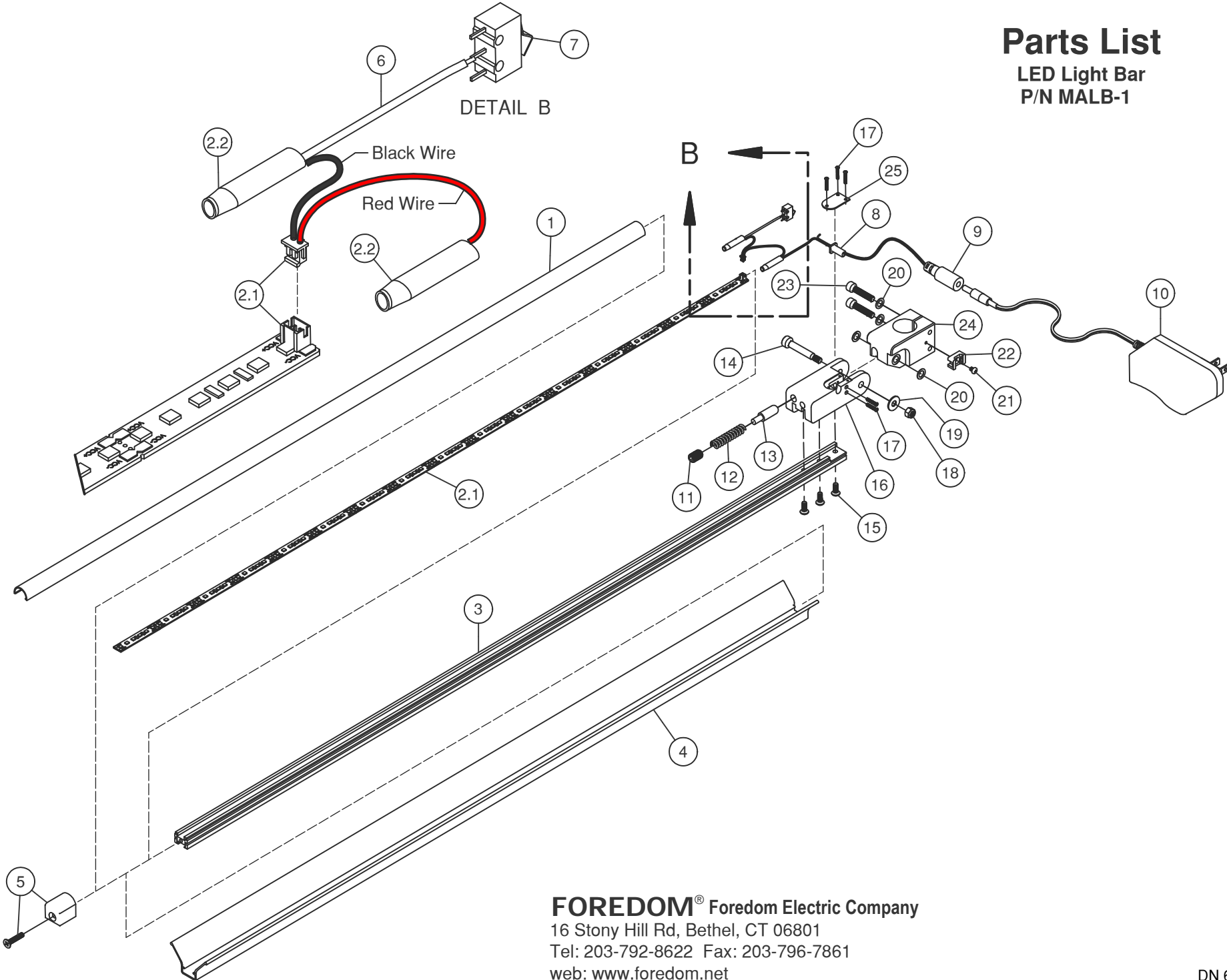


# Parts List

LED Light Bar  
P/N MALB-1



**FOREDOM®** Freedom Electric Company  
 16 Stony Hill Rd, Bethel, CT 06801  
 Tel: 203-792-8622 Fax: 203-796-7861  
 web: [www.foredom.net](http://www.foredom.net)

# Parts List

LED Light Bar  
P/N MALB-1

Item	Foredom P/N	Description	Qty
1	UAL008	Light Defuser	1
2	UAL007-K	LED Light Strip with Crimp Connectors and Wires	1
2.2	UAL031	Crimp Connector	2
2.1	UAL007	LED Light Strip with Wires	1
3	-	LED Strip Housing	1
4	UAL013	Light Shade	1
5	UAL014	End Cap with M4 Screw	1
6	-	Black Jumper Wire	1
7	UAL0012	Electrcal Microswitch	1
8	-	Strain Relief	1
9	UAL016	DC Jack	1
10	UAL018	AC Power Adapter	1
11	-	Set Screw, M8 x 12mm	1
12	UAL011	Spring, Hinge Bumper	1
13	UAL010	Plastic Lock	1
14	-	Shoulder Screw, Ø6mm x 30mm, M5	1
15	-	Screw, M4 x 10mm	3
16	-	Hinge Arm	1
17	-	Screw, M2 x 12mm, Crossed Recessed Pan Head	5
18	-	Locknut, M5	1
19	-	Plain Washer, M5	1
20	-	Plain Washer, M6	4
21	-	Screw, M3 x 6mm, Crossed Reccesssd Pan Head	1
22	-	Wire Clip	1
23	-	Screw, M5 x 25mm, Hexagon Socket Cap Head	2
24	UAL004	Mounting Bracket	1
25	-	Electronics Cover Plate	1

**FOREDOM<sup>®</sup>** Foredom Electric Company  
16 Stony Hill Rd, Bethel, CT 06801  
Tel: 203-792-8622 Fax: 203-796-7861  
web: [www.foredom.net](http://www.foredom.net)