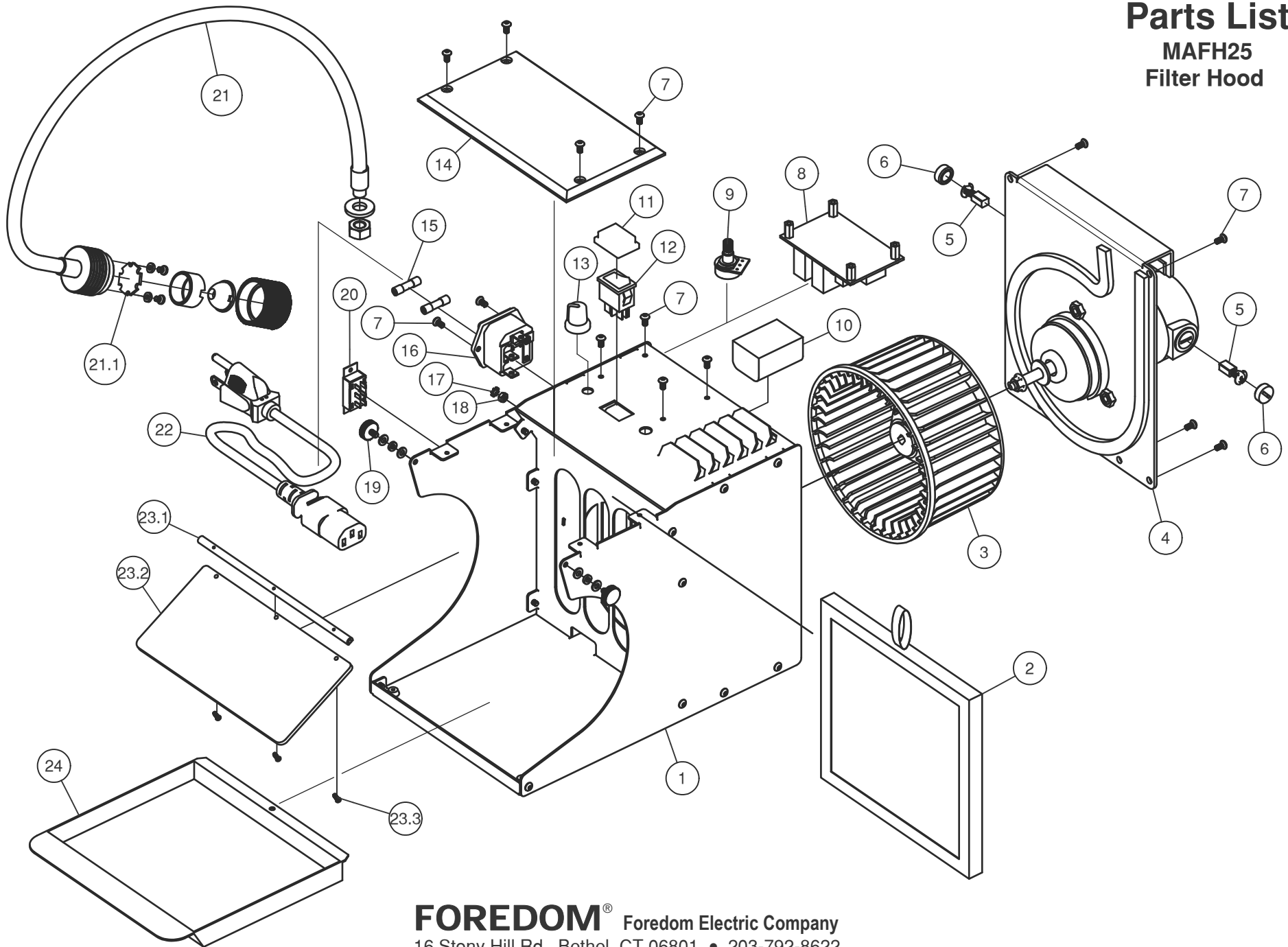


Parts List

MAFH25 Filter Hood



FOREDOM[®] Freedom Electric Company
 16 Stony Hill Rd., Bethel, CT 06801 • 203-792-8622
 Fax: 203-796-7861 • www.freedom.net

Parts List

MAFH25

Filter Hood

Item	Part No.	Description	Qty
1	---	Housing Assembly	1
2		Filter Options	
	MAFH107-5	Polyester	5
	MAFH108-5	1/2 Carbon	5
	MAFH109-5	Pleated	5
	MAFH120	2 Poly, 2 Poly/Carbon, and 1 Pleated Paper	1
3	---	Fan Wheel	1
4	MAFH113	Motor/Rear Panel Assembly	1
5	MP251P	Motor Brush Pair	1
6	MP252	Motor Brush Cap	2
7	---	Screw, M3 x 6mm	35
8	MAFH114	Circuit Board	1
9	CP803	Speed Potentiometer	1
10	MALC206	LED Light Driver	1
11	MALC214	Switch Cover	1
12	MAFH204	Power Switch	1
13	---	Knob, Speed Potentiometer	1
14	MAFH102	Fixed Window	1
15	MAFH110	Fuse, 5A	2
16	---	AC Power Inlet	1
17	---	Lock Washer, External Tooth	1
18	---	Nut	1
19	---	Thumb Screw and Washers	2
20	---	Voltage Switch	1
21	MAFH119	LED Light Assembly	1
21.1	MAFH106	LED Bulb Module (Plug-In)	1
	Or	Or	
	MAFH104	LED Bulb Module (Soldered)	
22		Detachable Cordset Options	1
	CP10831	North American	
	CP10834	United Kingdom	
	CP10835	Continental European	
	CP10836	Australian	
	CP10838	Israeli	
23	MAFH103	Pivoting Window Assembly	1
23.1		Support Rod	1
23.2		Pivoting Window	1
23.3		Screw, M2 x 6mm, Crossed Recessed Pan Head	3
24	MAFH105	Tray	1