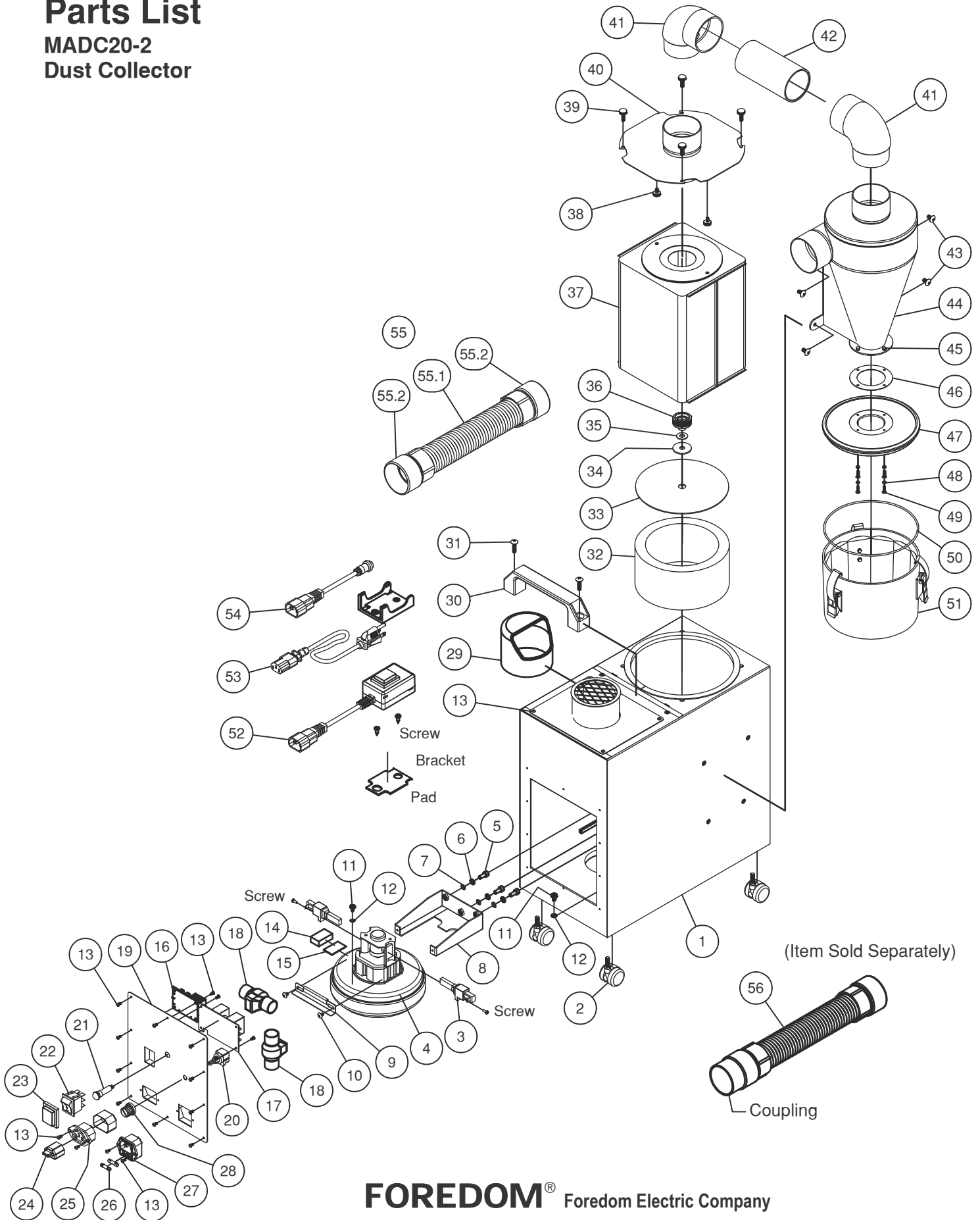


Parts List

MADC20-2

Dust Collector



FOREDOM® Freedom Electric Company
 16 Stony Hill Rd., Bethel, CT 06801 • 203-792-8622
 Fax: 203-796-7861 • www.foredom.net

Parts List

MADC20-2 Dust Collector

Item	Part No.	Description	Qty	Item	Part No.	Description	Qty
1		Housing	1	31		Screw, M5 x 20mm	2
2	MA824	Caster	4	32	MADC208	Canister Filter	1
3	MP820P	Motor Brush, 230V, (Pair)	2	33		Filter Cover	1
4	MP802	Motor, 220V	1	34		Rubber Washer	1
5		Cap Screw, M5 x 12mm	3	35		Washer, M8	1
6		Spring Washer	3	36		Knob, Filter	1
7		Lock Washer, M5	3	37	MADC205	HEPA Filter	1
8		Motor Support	1	38		Threaded Knob, M4 x 8mm	2
9		Motor Support Bar	1	39		Threaded Knob, M4 x 10mm	4
10		Screw, M4 x 6mm	2	40		Top Back Panel	1
11		Ground Screw, M4	2	41	MA825	Elbow, Ø2-1/4"	2
12		Lock Washer, M4	2	42	MA826	Straight Tube, Ø2-1/4" x 4-1/2"	1
13		Screw, M3 x 6mm	22	43		Screw, M5 x 10mm	4
14		Capacitor, Motor	1	44		Cyclone Housing	1
15		Double Sided Tape	1	45		Acorn Nut, M3	3
16	CP806	Circuit Board, 220V	1	46	MA832	Bowl Gasket	1
17	CP809	Circuit Board, EMI	1	47		Cover, Cylone Bowl	1
18		Ferrite Toroidal Assembly	2	48		Nylon Washer, M3	4
19		Front Control Panel	1	49		Screw, M3 x 12mm	4
20	CP803	Potentiometer	1	50	MA833	Bowl O-Ring	1
21		Indicator Light, 220V	1	51		Bowl Subassembly	1
22	CP802	Power Switch	1	52	MA822	Remote Switch	1
23	CP808	Power Switch Cover	1	53	CP10831	Cordset, North American	1
24		Receptacle Safety Cover	1	54	MA820	Remote Cable Assembly	1
25		Remote Connect Inlet	1	55		Flexible Hose Assembly 5ft (1.5M)	1
26	CP10515	FUSE, 5mm x 20mm, 5A	2	55.1		Flexible Hose	1
27		Power Inlet	1	55.2		Hose Connector	2
28		Knob, Speed Control	1	56	MADCVH-5	Hose Assembly 5ft (1.5M) w/ Coupling	1
29	MADC209	Exhaust Deflector	1	*	MA831	Bowl Assembly Includes 46, 47, 50, 51	1
30	MA823	Handle	1	*	MADC210	Cyclone Assembly Including 44-51	1

* Items not shown in the Exploded View.

FOREDOM[®] Freedom Electric Company

16 Stony Hill Rd., Bethel, CT 06801 • 203-792-8622
Fax: 203-796-7861 • www.foredom.net

DN 6/2021