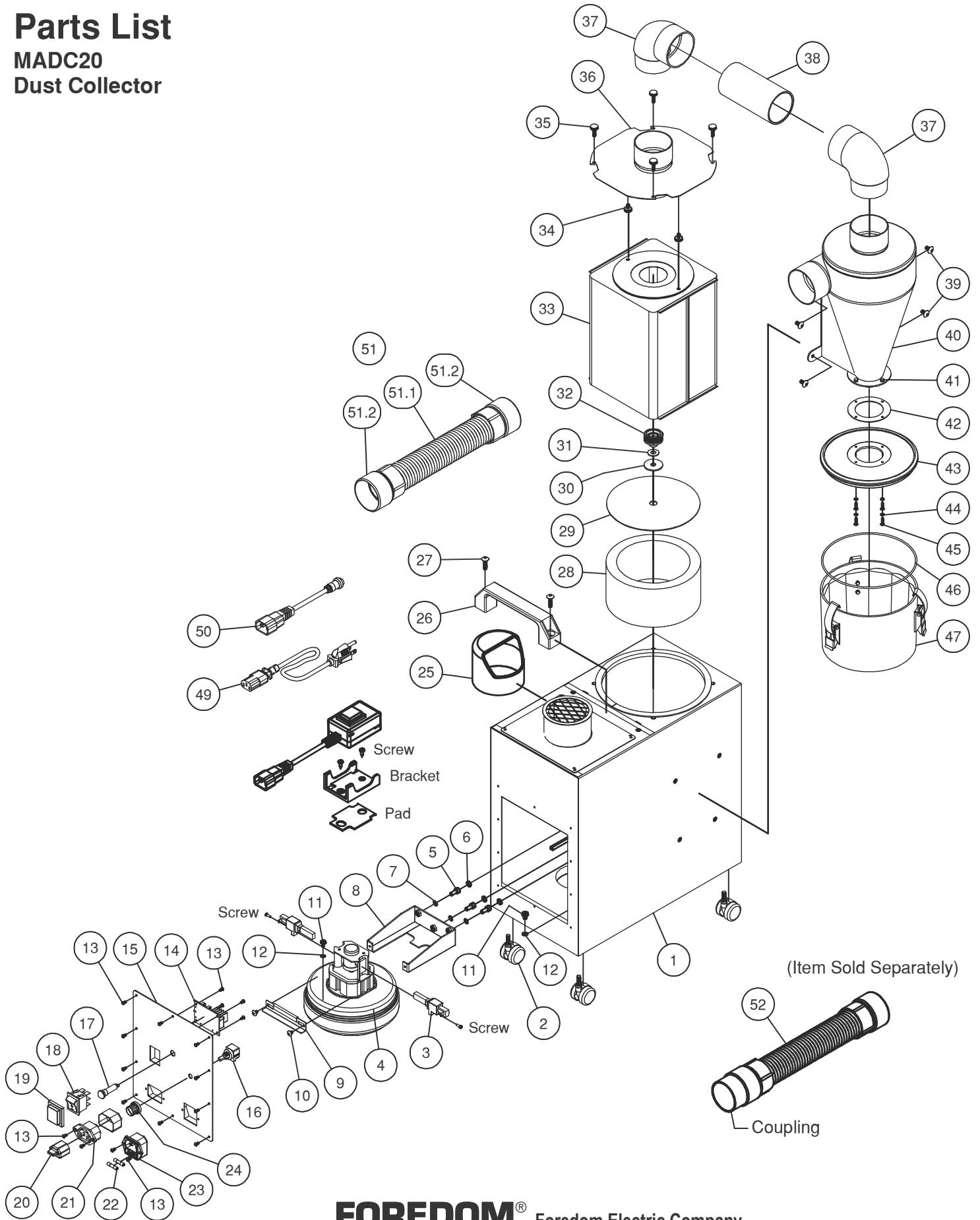


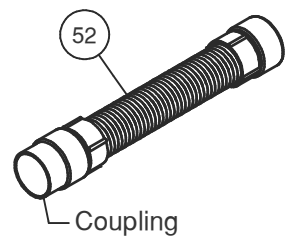
Parts List

MADC20

Dust Collector



(Item Sold Separately)



FOREDOM® Freedom Electric Company
 16 Stony Hill Rd., Bethel, CT 06801 • 203-792-8622
 Fax: 203-796-7861 • www.foredom.net

Parts List

MADC20 Dust Collector

Item	Part No.	Description	Qty	Item	Part No.	Description	Qty
1		Housing	1	29		Filter Cover	1
2	MA824	Caster	4	30		Rubber Washer	1
3	MP810P	Motor Brush (Pair)	1	31		Washer, M8	1
4	MP801	MVC004, BS MOD	1	32		Knob, Filter	1
5		Cap Screw, M5 x 12mm	3	33	MADC205	HEPA Filter	1
6		Spring Washer	3	34		Threaded Knob, M4 x 8mm	2
7		Lock Washer, M5	3	35		Threaded Knob, M4 x 10mm	4
8		Motor Support	1	36		Top Back Panel	1
9		Motor Support Bar	1	37	MA825	Elbow, Ø2-1/4"	2
10		Screw, M4 x 6mm	2	38	MA826	Straight Tube, Ø2-1/4" x 4-1/2"	1
11		Ground Screw, M4	2	39		Screw, M5 x 10mm	4
12		Lock Washer, M4	2	40		Cyclone Housing	1
13		Screw, M3 x 6mm	22	41		Acorn Nut, M3	3
14	CP805	Circuit Board, 115V	1	42	MA832	Bowl Gasket	1
15		Front Control Panel	1	43	MA834	Cover, Cylone Bowl	1
16	CP803	Potentiometer	1	44		Nylon Washer, M3	4
17		Indicator Light	1	45		Screw, M3 x 12mm	4
18	CP802	Power Switch	1	46	MA833	Bowl O-Ring	1
19	CP808	Power Switch Cover	1	47		Bowl Subassembly	1
20		Receptacle Safety Cover	1	48	MA822	Remote Switch	1
21		Remote Connect Inlet	1	49	CP10831	Cordset, North American	1
22	CP804	Fuse, 8 Amp, Time Lag	2	50	MA820	Remote Cable Assembly	1
23		Power Inlet	1	51		Flexible Hose Assembly 5ft (1.5M)	1
24		Knob, Speed Control	1	51.1		Flexible Hose	1
25	MADC209	Exhaust Deflector	1	51.2		Hose Connector	2
26	MA823	Handle	1	52	MADCVH-5	Hose Assembly 5ft (1.5M) w/ Coupling	1
27		Screw, M5 x 20mm	2	*	MA831	Bowl Assembly Includes 42, 43, 46, 47	1
28	MADC208	Canister Filter	1	*	MADC210	Cyclone Assembly Including 40-47	1

* Items not shown in the Exploded View.

FOREDOM[®] Freedom Electric Company

16 Stony Hill Rd., Bethel, CT 06801 • 203-792-8622

Fax: 203-796-7861 • www.foredom.net

DN 11/2019