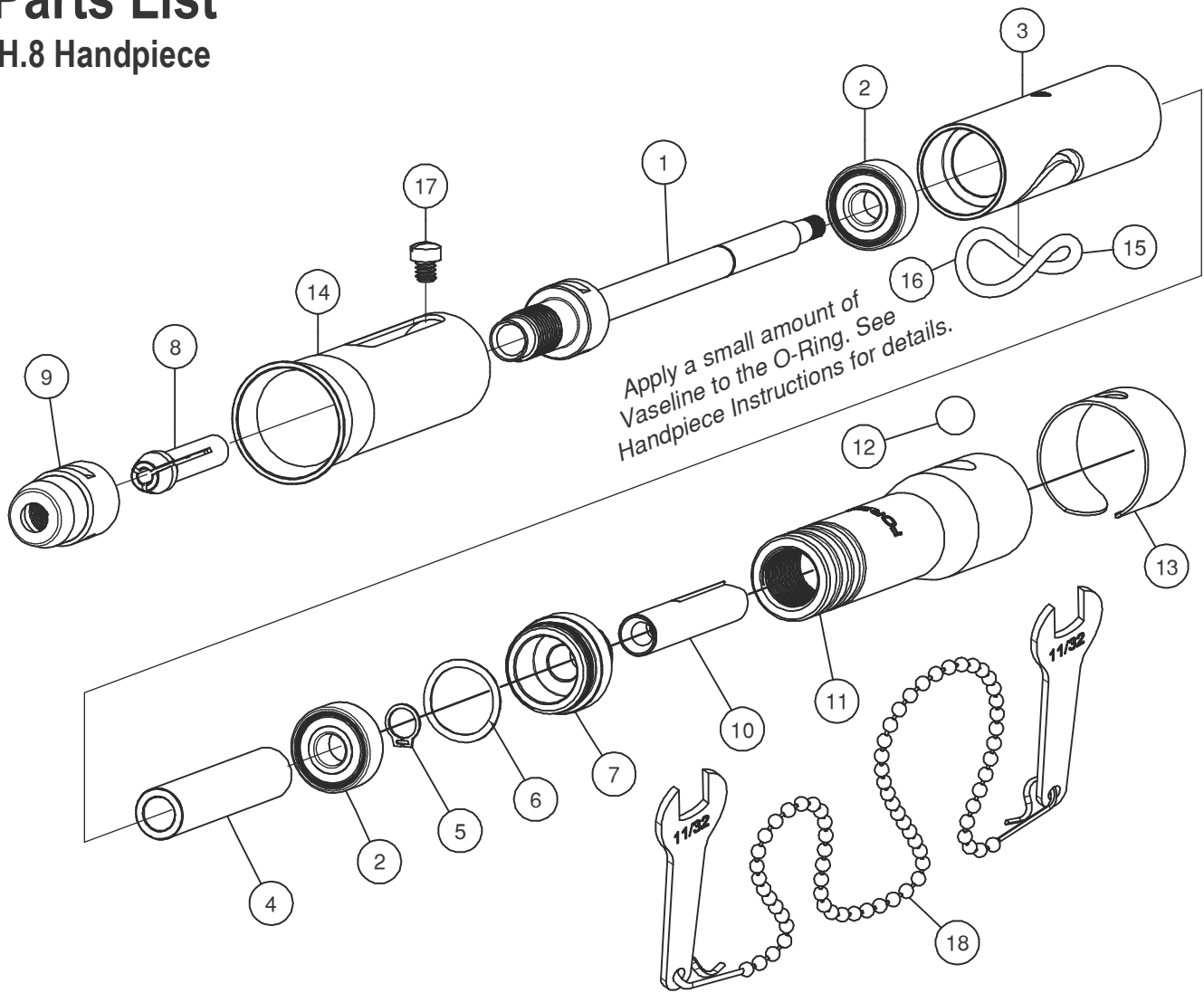


Parts List

H.8 Handpiece



Available Collet Sizes

Part No.	Size
HP602	Ø1/16"
HP604	Ø1/8"
HP605	Ø3mm

ITEM	PART NO.	DESCRIPTION	QTY
1	HP56A	SPINDLE, NO. 8	1
2	HP58	BALL BEARING Ø.1875 x Ø.500 x .196	2
3	HP545	HOUSING	1
4	HP57	BEARING SPACER, No. 8	1
5	HP10531	EXTERNAL RETAINING RING	1
6	HP2862	WAVY SPRING WASHER	1
7	HP546	COUPLING	1
8	HP603	Ø3/32 COLLET, 600 SERIES	1
9	HP44A	CHUCK NUT, #8 HANDPIECE	1
10	HP46	SLOTTED SHAFT CONNECTOR	1
11	HP42	Q.D. CONNECTOR	1
12	HP48	CATCH BALL	1
13	HP43	CATCH SPRING	1
14	HP547	CHUCK GUARD	1
15	HP544	O-RING, Ø 3/4" x Ø 7/8" x .070" THICK	1
16	N/A	VASELINE PETROLEUM JELLY	1
17	HP52	SCREW, 4-40 x 1/8	1
18	HP10586	WHRENCH ASSEMBLY, 11/32	1

FOREDOM®

The Foredom Electric Company

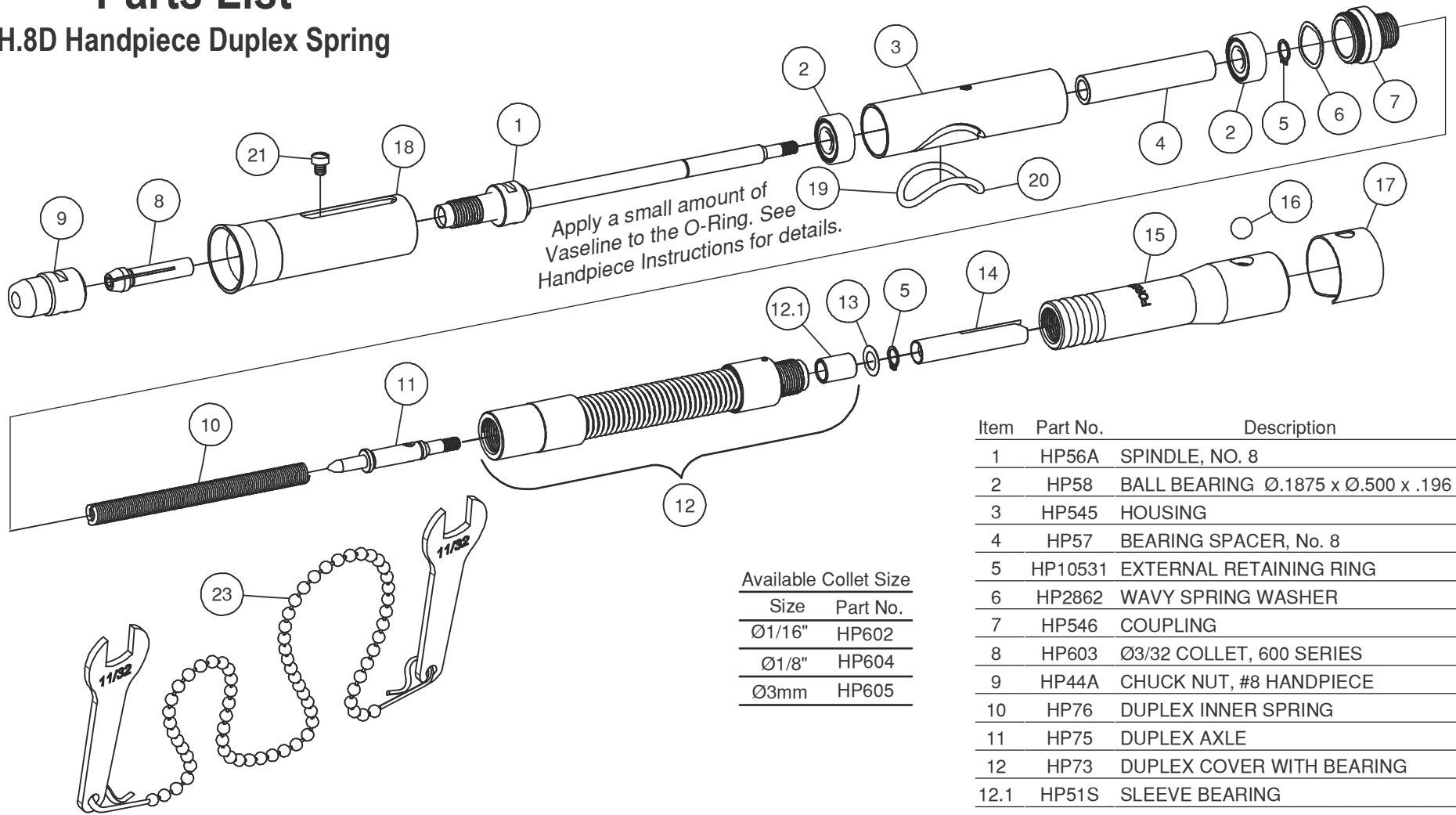
16 Stony Hill Rd., Bethel, CT 06801

Tel: 203-792-8622 · Fax: 203-796-7861

www.foredom.net

Parts List

H.8D Handpiece Duplex Spring



Apply a small amount of Vaseline to the O-Ring. See Handpiece Instructions for details.

Item	Part No.	Description	Qty
1	HP56A	SPINDLE, NO. 8	1
2	HP58	BALL BEARING Ø.1875 x Ø.500 x .196	2
3	HP545	HOUSING	1
4	HP57	BEARING SPACER, No. 8	1
5	HP10531	EXTERNAL RETAINING RING	2
6	HP2862	WAVY SPRING WASHER	1
7	HP546	COUPLING	1
8	HP603	Ø3/32 COLLET, 600 SERIES	1
9	HP44A	CHUCK NUT, #8 HANDPIECE	1
10	HP76	DUPLEX INNER SPRING	1
11	HP75	DUPLEX AXLE	1
12	HP73	DUPLEX COVER WITH BEARING	1
12.1	HP51S	SLEEVE BEARING	1
13	HP47	WASHER, Ø3/16 x Ø5/16 x .005 THICK	1
14	HP46	SLOTTED SHAFT CONNECTOR	1
15	HP42	Q.D. CONNECTOR	1
16	HP48	CATCH BALL	1
17	HP43	CATCH SPRING	1
18	HP547	CHUCK GUARD	1
19	HP544	O-RING, Ø 3/4" x Ø 7/8" x .070" THICK	1
20	N/A	VASELINE PETROLEUM JELLY	1
21	HP52	SCREW, 4-40 x 1/8, SLOTTED HEAD	1
22	HP10586	Wrench Assembly, 11/32	1

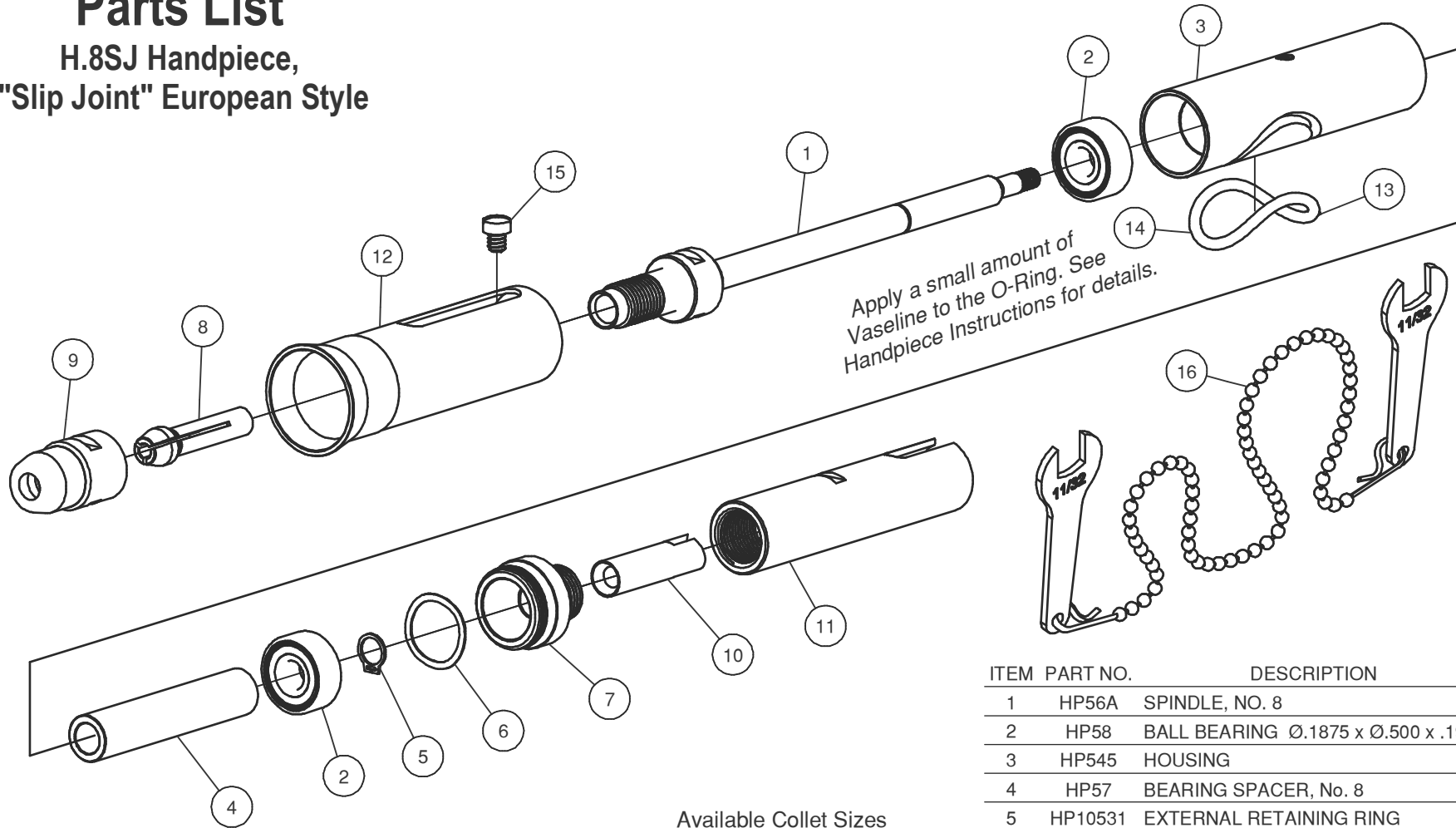
Available Collet Size

Size	Part No.
Ø1/16"	HP602
Ø1/8"	HP604
Ø3mm	HP605

FOREDOM[®]
 The Freedom Electric Company
 16 Stony Hill Rd., Bethel, CT 06801
 Tel: 203-792-8622 · Fax: 203-796-7861
 www.freedom.net

Parts List

H.8SJ Handpiece, "Slip Joint" European Style



Apply a small amount of Vaseline to the O-Ring. See Handpiece Instructions for details.

Available Collet Sizes

Part No.	Size
HP602	Ø1/16"
HP604	Ø1/8"
HP605	Ø3mm

ITEM	PART NO.	DESCRIPTION	QTY
1	HP56A	SPINDLE, NO. 8	1
2	HP58	BALL BEARING Ø.1875 x Ø.500 x .196	2
3	HP545	HOUSING	1
4	HP57	BEARING SPACER, No. 8	1
5	HP10531	EXTERNAL RETAINING RING	1
6	HP2862	WAVY SPRING WASHER	1
7	HP546	COUPLING	1
8	HP603	Ø3/32 COLLET, 600 SERIES	1
9	HP44A	CHUCK NUT, #8 HANDPIECE	1
10	HP10729	SLIP JOINT DRIVE CONNECTOR	1
11	HP10728	SLIP JOINT Q.D. CONNECTOR	1
12	HP547	CHUCK GUARD	1
13	N/A	VASELINE PETROLEUM JELLY	1
14	HP544	O-RING, Ø 3/4" x Ø 7/8" x .070" THICK	1
15	HP52	SCREW, 4-40 x 1/8	1
16	HP10586	WRENCH ASSEMBLY, 11/32	1

FOREDOM®

The Foredom Electric Company

16 Stony Hill Rd., Bethel, CT 06801

Tel: 203-792-8622 • Fax: 203-796-7861

www.foredom.net