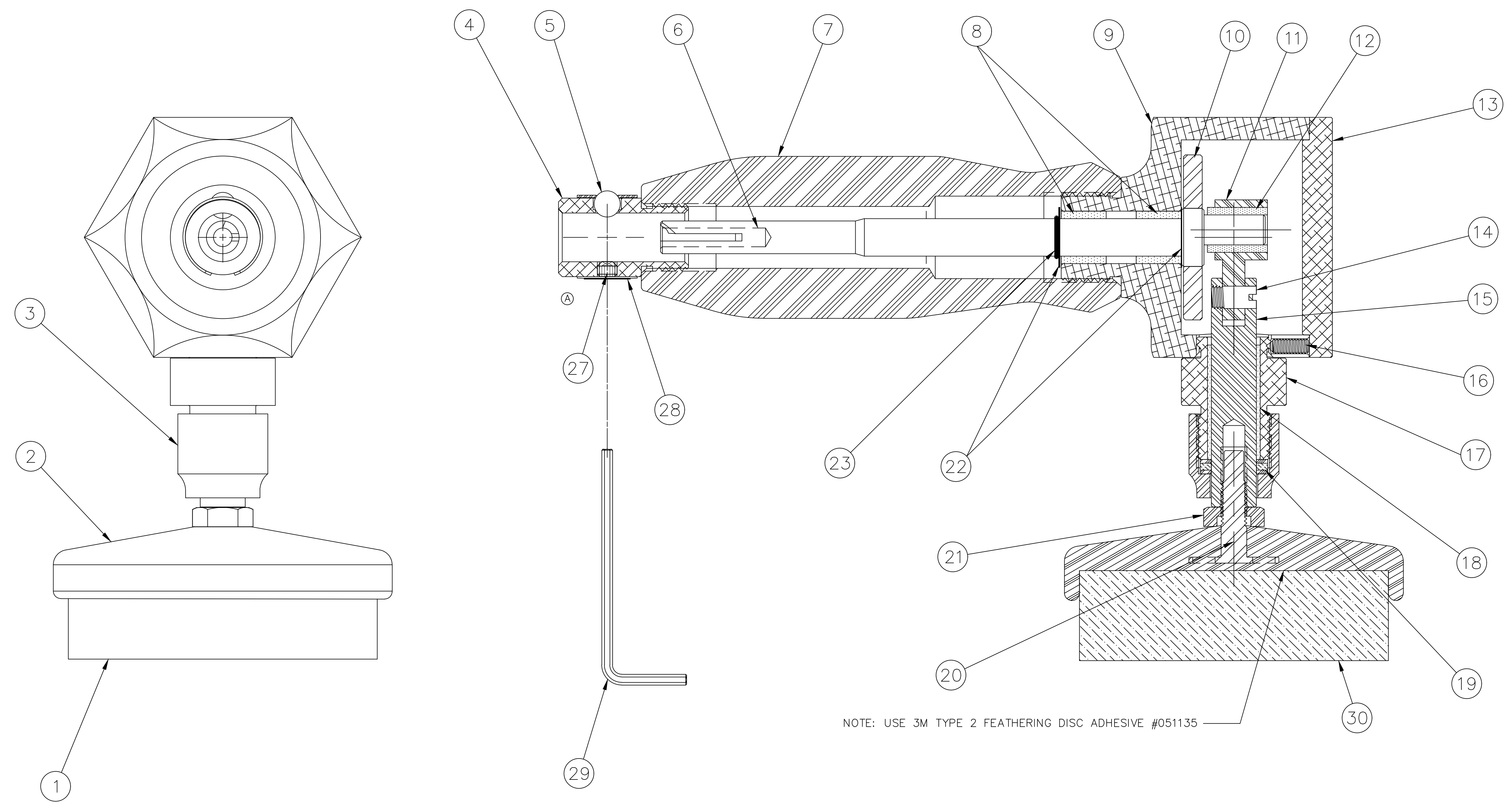
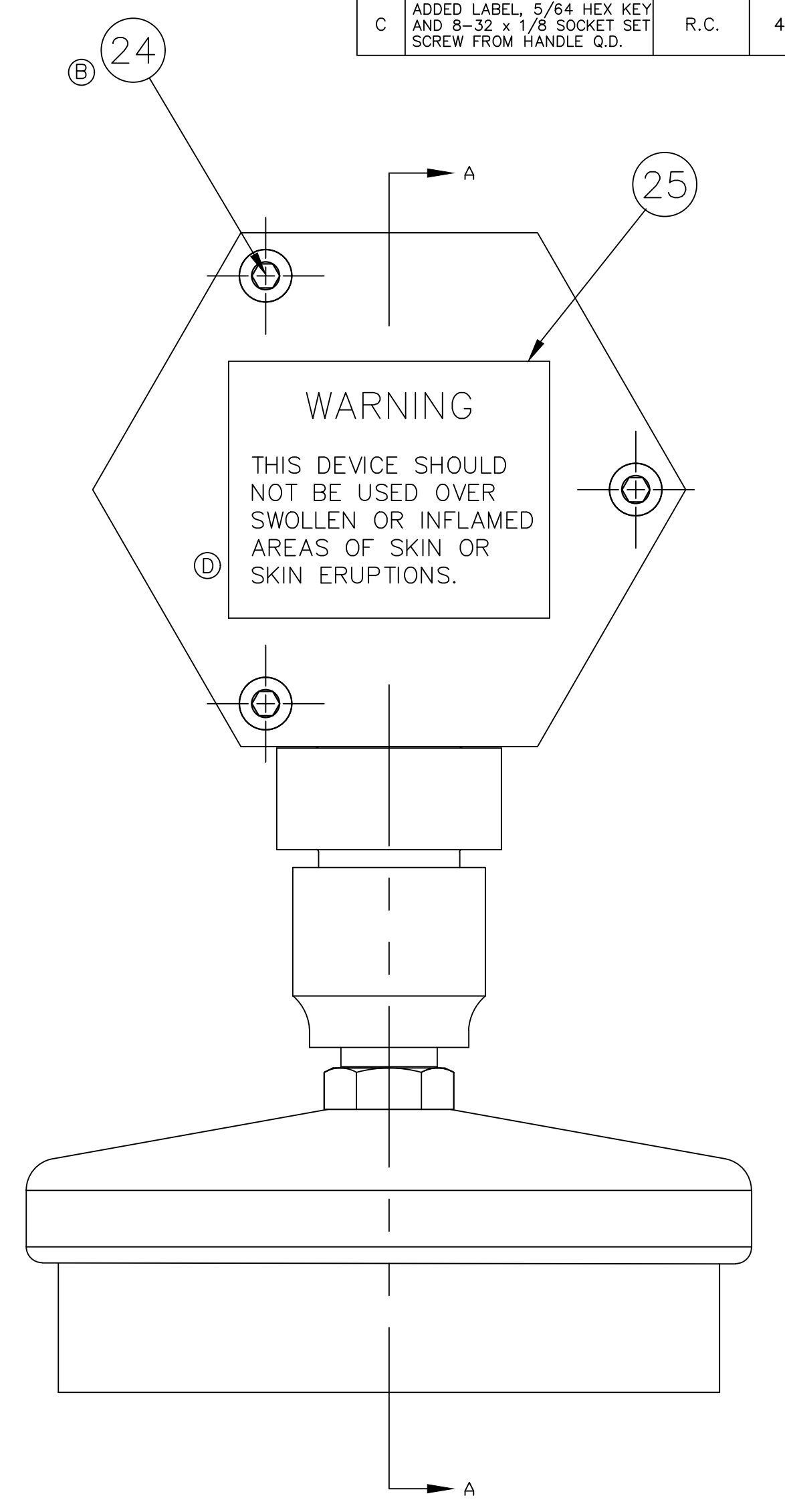


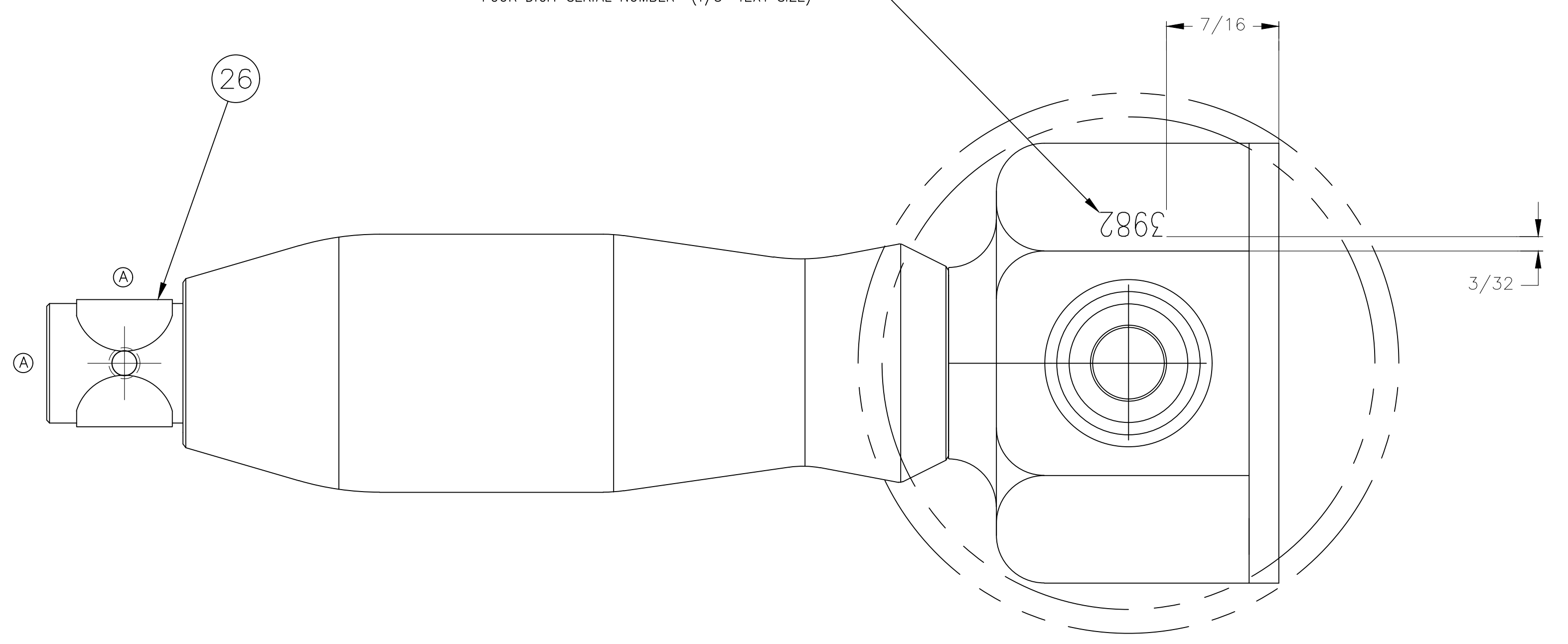
REV.	DESCRIPTION	APPROVED	DATE	REV.	DESCRIPTION	APPROVED	DATE
D	UPDATED WARNING LABEL	KC	6-11-03	A	DELETED F-1217 LABEL AND 8-32 x 1/8 SOCKET SET SCREW FROM HANDLE Q.D.	R.C.	12-9-97
E	UPDATED VIEW OF COVER ITEM (13)	KC	1-10-15	B	SOCKET HEAD CAP WAS SLOTTED. FILL HD. UA10486 WAS UA10487	K.C.	1-9-01
F	HP16 BEARING QTY 2 WAS 3	KC	10-28-15	C	ADDED LABEL, 5/64 HEX KEY AND 8-32 x 1/8 SOCKET SET SCREW FROM HANDLE Q.D.	R.C.	4/12/01



NOTE: USE 3M TYPE 2 FEATHERING DISC ADHESIVE #051135



FOUR DIGIT SERIAL NUMBER (1/8" TEXT SIZE)



ITEM	PART #	DWG. #	DESCRIPTION	QTY
30	HP10254	01A08004	RUBBER GASKET	1
29	UA112KY	05A08168	5/64 HEXAGON KEY	1
28	F-1217		LABEL "USE LOCK SCREW"	1
27	UA116	05001125	SCREW, 8-32 x 1/8 CUP POINT, SOCKET SET	1
26	HP43	01A08004	CATCH SPRING	1
25	F-1351		WARNING LABEL	1
24	UA10486	05A01150	SCREW, 5-40 X 1/4 HEXAGON SOCKET CAP	3
23	HP17	05A08179	SPINDLE RETAINING RING	1
22	HP10	01A60024	STEEL WASHER	3
21	HP10255N	01A60026	RECESSED STUD NUT	1
20	HP10255S	01B60017	SHORT STUD	1
19	HP6	01A60002	GREASE SEAL	1
18	HP15	01A60012	PLUNGER SLEEVE BEARING	1
17	HP2-2	01A60005	ADAPTER FITTING	1
16	HP2-3	01A60006	LOCKING SCREW, 5-40 X 1/4 CONE PT. SOCKET SET SCREW	1
15	HP18	01A60013	PLUNGER	1
14	HP12	01A60010	PLUNGER SCREW	1
13	HP1	01B60003	MAIN HOUSING COVER	1
12	HP10045	05A10037	BRONZE SLEEVE BEARING, 0.250 x 0.376 x 1/2	1
11	HP19A	01A60014	CONNECTING ARM	1
10	HP7F	01A60021	FLYWHEEL	1
9	HP2	01B60004	MAIN HOUSING	1
8	HP16	01A60025	SLEEVE BEARING	2
7	HP21	01B60015	HANDLE	1
6	HP7S	01B60009	SPINDLE	1
5	HP48	01A08004	CATCH BALL	1
4	HP4	01B60018	HANDLE Q.D., #60HP	1
3	HP14	01A60011	ADJUSTMENT SLEEVE	1
2	HP10253	01A60016	MOLDED CUP	1
1	HP10254	01A60027	SPONGE	1

NOTICE  
This drawing may represent a proprietary article or one on which patents are applied for or issued. Reproduction of parts therefrom is not permissible without the written permission of Blackstone Ind., Bethel Conn. 06801, or its subsidiaries.

UNLESS OTHERWISE SPECIFIED	SIGNATURES	DATE	Blackstone Industries, Inc. Bethel, Connecticut 06801	
TOLERANCES ON:	DRAWN DGB	02/09/95	PART NAME #60 H.P. ASSEMBLY	
3 PL DEC. ± .005	CHECKED		PART NO. H.60	SCALE 2 TO 1
FRACTIONS ± 1/64	APPROVED		DWG. NO. 01D60001	REV. F
ANGLES ± 2'	MATERIAL-			