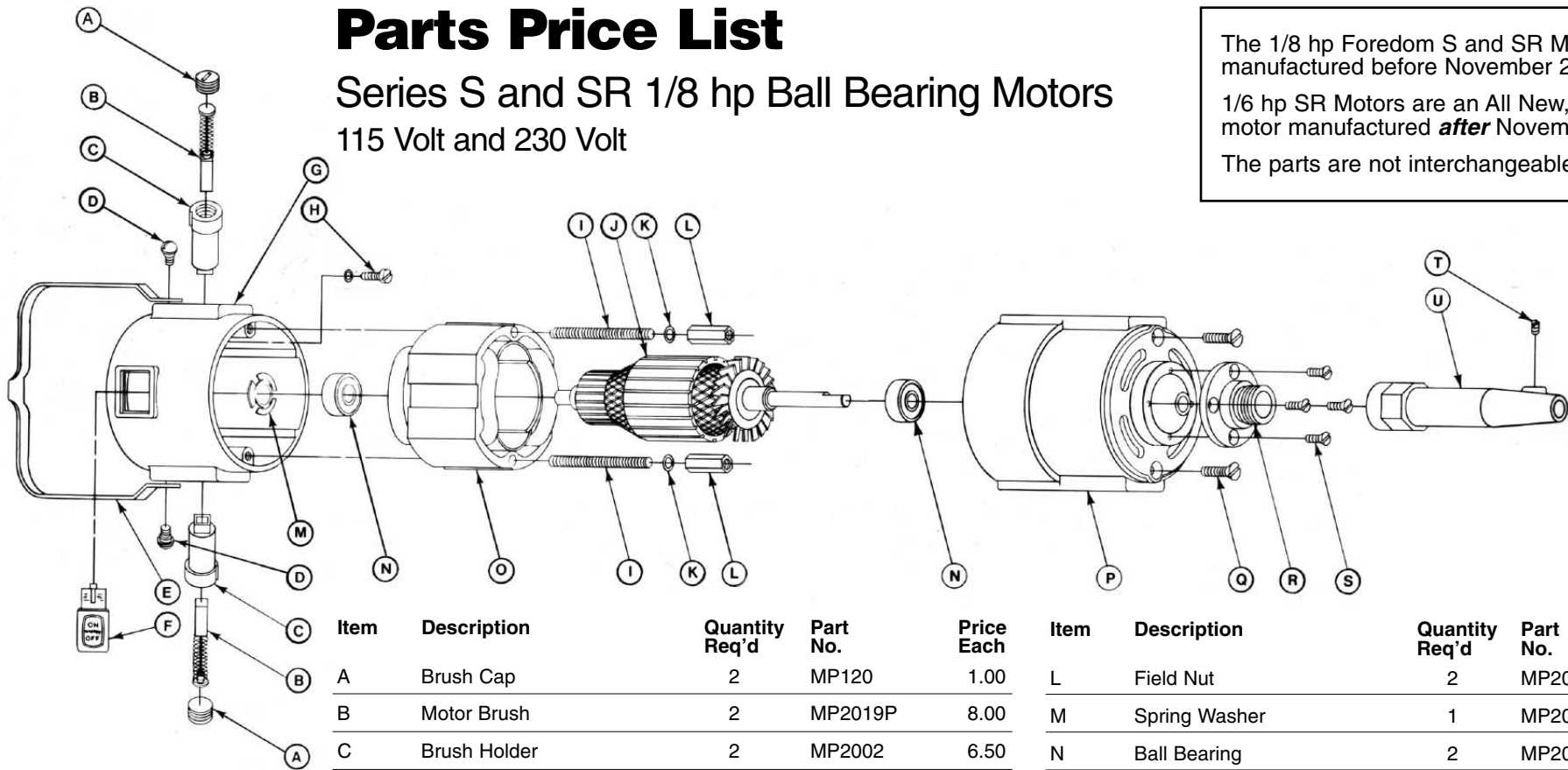


Parts Price List

Series S and SR 1/8 hp Ball Bearing Motors 115 Volt and 230 Volt

The 1/8 hp Freedom S and SR Motors were manufactured before November 2005.
1/6 hp SR Motors are an All New, redesigned motor manufactured **after** November 2005.
The parts are not interchangeable.



Item	Description	Quantity Req'd	Part No.	Price Each
A	Brush Cap	2	MP120	1.00
B	Motor Brush	2	MP2019P	8.00
C	Brush Holder	2	MP2002	6.50
D	Shoulder Screw	2	UA106	.35
E	Motor Hanger	1	UA105A	1.50
F	On/Off Switch	1	MP2003	5.00
	Forwd./ Rev./ Neut. Switch for SR Motors (Not shown)	1	MP2022	20.50
G	Motor Housing (Switch End)	1	MP2004B	20.00
H	Ground Screw & Lock Washer	1	MP2020	.35
I	Field Screw	2	MP2006	.75
J	Armature with Bearings (115V.)	1	MP2007B	61.50
	Armature with Bearings (230V.)	1	MP2007B-2	65.00
	Armature with Bearings (115V.) for SR Motor (Not Shown)	1	MP2007SR	61.50
K	Field Lock Washer	2	UA138	.25

Item	Description	Quantity Req'd	Part No.	Price Each
L	Field Nut	2	MP2008	1.50
M	Spring Washer	1	MP2018	.75
N	Ball Bearing	2	MP2017	7.50
O	Laminations Field Coil (115V)	1	MP2012	48.00
	Laminations Field Coil (230V)	1	MP2012-2	50.00
P	Motor Housing (Lower)	1	MP2013	19.00
Q	Housing Screw	2	MP2014	.25
R	Threaded Hub	1	MP2015	10.50
S	Hub Screw	4	MP2016	.25
T	Set Screw	1	UA113	.25
U	Motor Connector	1	UA111P	3.00
Not Shown	Cord (3-wire with Plug)	1	CP10541	6.00
	Cord Grommet	1	CP10003	.25
	Flexible Shaft	1	S-93	9.00
	Sheath (Standard)	1	S-77	13.00
	Neoprene Sheath (Standard for SR Motor)	1	S-77N	14.00

FOREDOM®

The Freedom Electric Co.

16 Stony Hill Road,

Bethel, CT 06801, USA

Tel.: 203-792-8622

Fax: 203-796-7861

www.freedom.com

Email: info@freedom.com