




# FOREDOM® Series R, RB, and RM

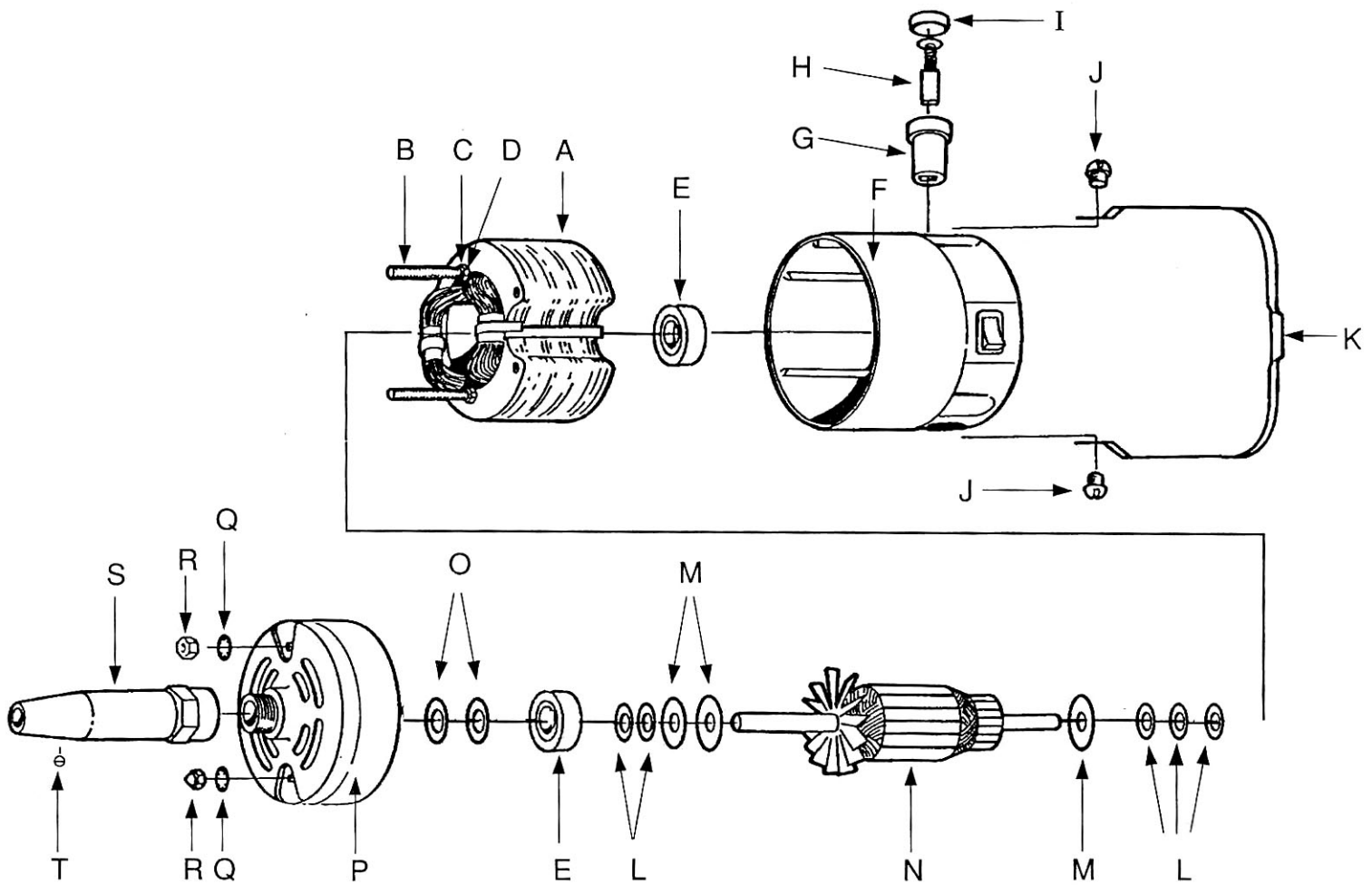
(110/120 Volt)

## PARTS PRICE LIST

Series	Description	Part No.	Price Each	
 <p><b>R Hang-Up Style</b></p>	<p><b>Series R Motor (ball bearing)</b> complete with 72" 4-wire power cord and plug, motor hanger and sheath connector. (Does not include flexible shaft, sheath, or handpiece.)</p>			
	110-120 Volt AC-DC .....	M-10460	\$ 145.00	
	Motor Hanger .....	UA105	1.50	
	Motor Hanger Screws (2 req'd) .....	UA106	.35	
 <p><b>RB Bench Style</b></p>	<p><b>Series RB Motor (ball bearing)</b> complete with 72" 4-wire power cord and plug, and sheath connector. (Does not include flexible shaft, sheath, or handpiece.)</p>			
	110-120 Volt AC-DC .....	M-10459	\$ 145.00	
	<b>Base and Yoke Parts</b>			
	Base and Yoke only complete assembled .....	UA10267	20.00	
	Base only .....	UA10418N	14.50	
	Rubber Feet for base (4 req'd) .....	UA133	.25	
	Drive Pin for rubber feet (4 req'd) .....	UA279	.05	
	Yoke only .....	UA136	5.00	
	Screws for mounting motor to yoke (2 req'd) .....	UA10844	.90	
	Spacer Washers (2 req'd) .....	DAAC6	.10	
	Stud for attaching yoke to base .....	UA10840	3.00	
	Nylon Spacer for yoke (2 req'd) .....	UA10846	.25	
	Nylon Washer for lock nut .....	UA10847	.25	
	Lock Nut .....	UA10848	.75	
	 <p><b>RM Bench Style with built-in control</b></p>	<p><b>Series RM Motor (ball bearing)</b> complete with 12" 4-wire cord (no plug), and sheath connector. (Does not include flexible shaft, sheath, or handpiece.)</p>		
110-120 Volt AC-DC .....		M-10459A	\$ 145.00	
<b>Base and Yoke Parts</b>				
Base and Yoke only complete with control .....		UA10551	65.00	
Base only .....		UA10553	15.50	
Electronic Speed Control .....		CP10485A	25.00	
Speed Control Knob .....		UA10427	3.00	
Speed Control Decal .....		F-1433	.75	
Base Cover .....		UA10429	2.00	
Base Cover Screws (4 req'd) .....		UA134	.10	
Rubber Feet for base (4 req'd) .....		UA133	.25	
Electrical Splice Connectors - 4-wire (3 req'd) .....		UA10002	.25	
Electrical Splice Connectors-3-wire .....		UA10432	.25	
Pilot Light .....		CP10392B	4.00	
Strain Relief (4 req'd) .....		UA10433	.20	
Rubber Grommet .....		UA135	.35	
Power Cord (72" 3-wire cord and plug) .....		CP10541	6.00	
Ring Terminal (2 req'd) .....		CP10391	.20	
Ground Screw .....		UA10376	.25	
Star Washer .....		CP10573	.10	
Yoke only .....		UA136	5.00	
Screws for mounting motor to yoke (2 req'd) .....		UA10844	.90	
Spacer Washers (2 req'd) .....		DAAC6	.10	
Stud for attaching yoke to base .....	UA10840	3.00		
Nylon Spacer for yoke (2 req'd) .....	UA10846	.25		
Nylon Washer for lock nut .....	UA10847	.25		
Lock Nut .....	UA10848	.75		

See reverse side for internal motor parts.

All Prices Subject To Change Without Notice



Item	Description	Part No.	Price Each	Item	Description	Part No.	Price Each
A	Field .....	MP10438	\$ 26.25	N	Armature (with 2 ball bearings)	MP10508	\$ 53.00
B	Stud .....	MP10374	.20	O	Spring Washer .....	MP10365	.20
C	Nut .....	MP10375	.05	P	Small Housing .....	MP10507	17.50
D	Lockwasher .....	MP10515	.05	Q	Lockwasher .....	MP10368	.05
E	Ball Bearing .....	MP10362	5.00	R	Nut .....	MP185	.15
F	Large Housing .....	MP10505	17.50	S	Motor Connector .....	UA111P	3.00
G	Brush Holder .....	MP122	6.50	T	Set Screw .....	UA113	.25
H	Brush (2 req'd) .....	MP117P	5.50 pair				
I	Brush Cap .....	MP120	1.00	Not Shown	Cord Set .....	MP10549B	12.50
J	Hanger Screw .....	UA106	.35		Male Plug .....	CP10366	3.00
K	Hanger .....	UA105	1.50		Cord Grommet .....	CP10003-4	.25
L	Small Fiber Washer .....	MP10363	.10		Flexible Shaft .....	S-93	7.50
M	Large Fiber Washer .....	MP10364	.15		Sheath .....	S-77	10.00

Prices subject to change without notice

# FOREDOM<sup>®</sup> power tools

THE FOREDOM ELECTRIC CO., Bethel CT 06801 (203)792-8622 • Fax: 203-790-9832