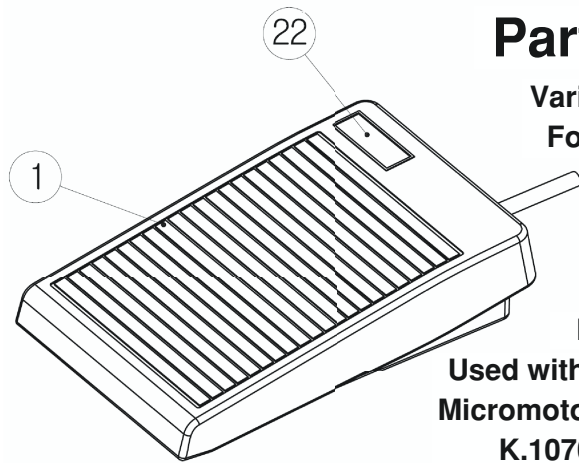
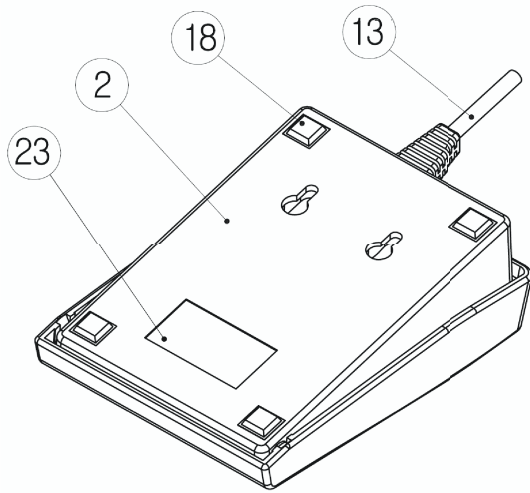


# Parts List

Variable Speed  
Foot Control

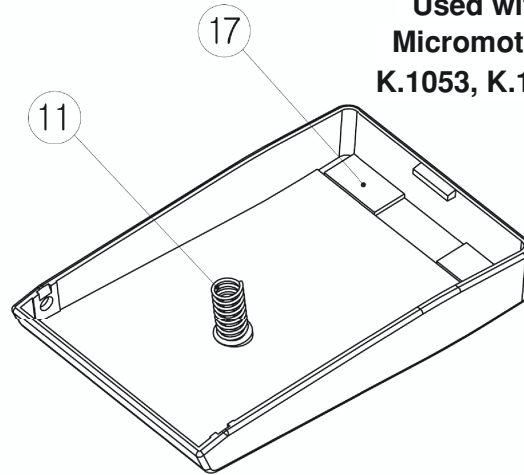
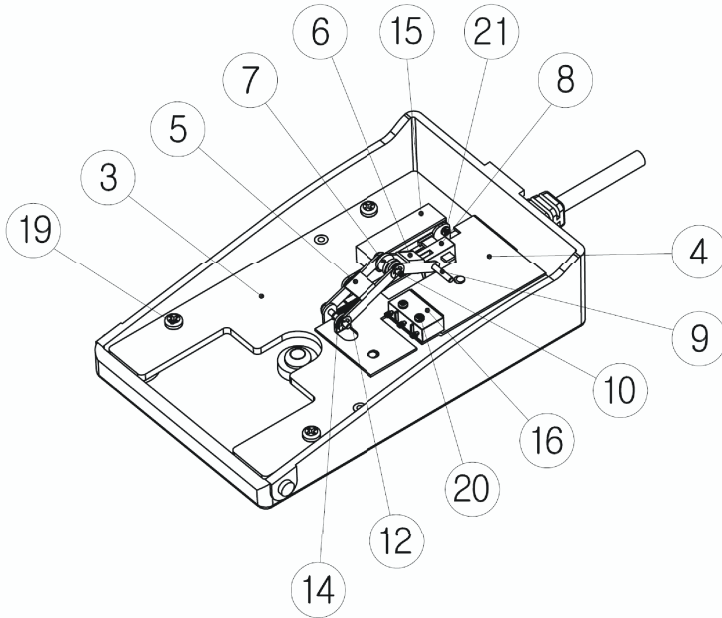


**HP4-960**

Used with Brush Type  
Micromotor Kits K.1020  
K.1070, K.1090

**HP7-7060**

Used with Brushless  
Micromotor Kits, K.1050,  
K.1053, K.1054, and K.1055



Item	Part No.	Description	Qty
1		Upper Case	1
2		Lower Case	1
3		Bed Plate	1
4		Lever Support Plate	1
5		Long Lever	1
6		Short Lever	1
7		Roller	1
8		Slider	1
9		Long Pin	1
10		Short Pin	2
11		Compression Coil Spring	1
12		Tension Coil Spring	1
13		Cord Assembly, 8 Pin, 1070 Cord Assembly, 5 Pin, 1050	1
14		Push Nut	3
15		Slide Potentiometer	1
16	HP7-7061	Micro Switch	1
17		Cushion	2
18		Rubber Foot	4
19		Bed Plate Screw	4
20		Micro Switch Screw	2
21		Slide Potentiometer Screw	2
22		Upper Label	1
23		Bottom Label, 1070 Bottom Label, 1050	1