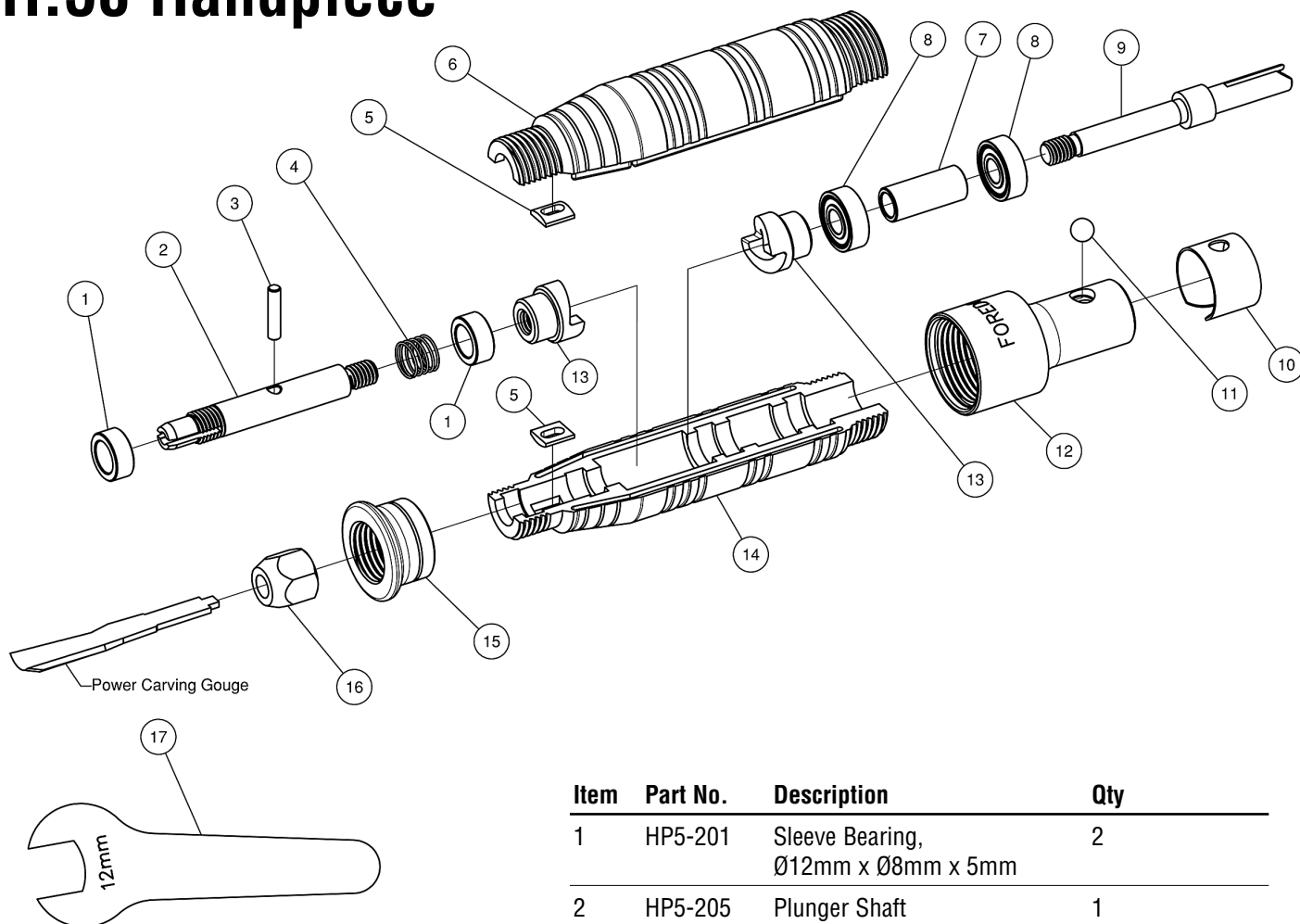


Parts List Freedom H.50 Handpiece



| Item | Part No. | Description | Qty |
|------|----------|---------------------------------------|-----|
| 1 | HP5-201 | Sleeve Bearing, Ø12mm x Ø8mm x 5mm | 2 |
| 2 | HP5-205 | Plunger Shaft | 1 |
| 3 | HP5-206 | Plunger Pin | 1 |
| 4 | HP5-204 | Plunger Spring | 1 |
| 5 | HP5-216 | Pin Guide Insert | 2 |
| 6 | HP5-202 | Top Housing, Male | 1 |
| 7 | HP5-207 | Spacer | 1 |
| 8 | HP5-224 | Ball Bearing, Ø15mm x Ø6mm x 5mm | 2 |
| 9 | HP5-220 | Slotted Drive Spindle | 1 |
| 10 | HP43 | Catch Spring | 1 |
| 11 | HP48 | Catch Ball | 1 |
| 12 | HP5-210 | Q. D. Connector | 1 |
| 13 | HP5-228 | Actuating Cam | 2 |
| 14 | HP5-212 | Bottom Housing, Female | 1 |
| 15 | HP5-226 | Housing Ring | 1 |
| 16 | HP5-218 | Locking Nut | 1 |
| 17 | HP50012 | Wrench, 12mm | 1 |

FOREDOM[®]
The Freedom Electric Company

16 Stony Hill Road, Bethel, CT 06801, USA

Tel.: 203-792-8622 • Fax: 203-796-7861

www.freedom.net

Email: customerservice@blackstoneind.com