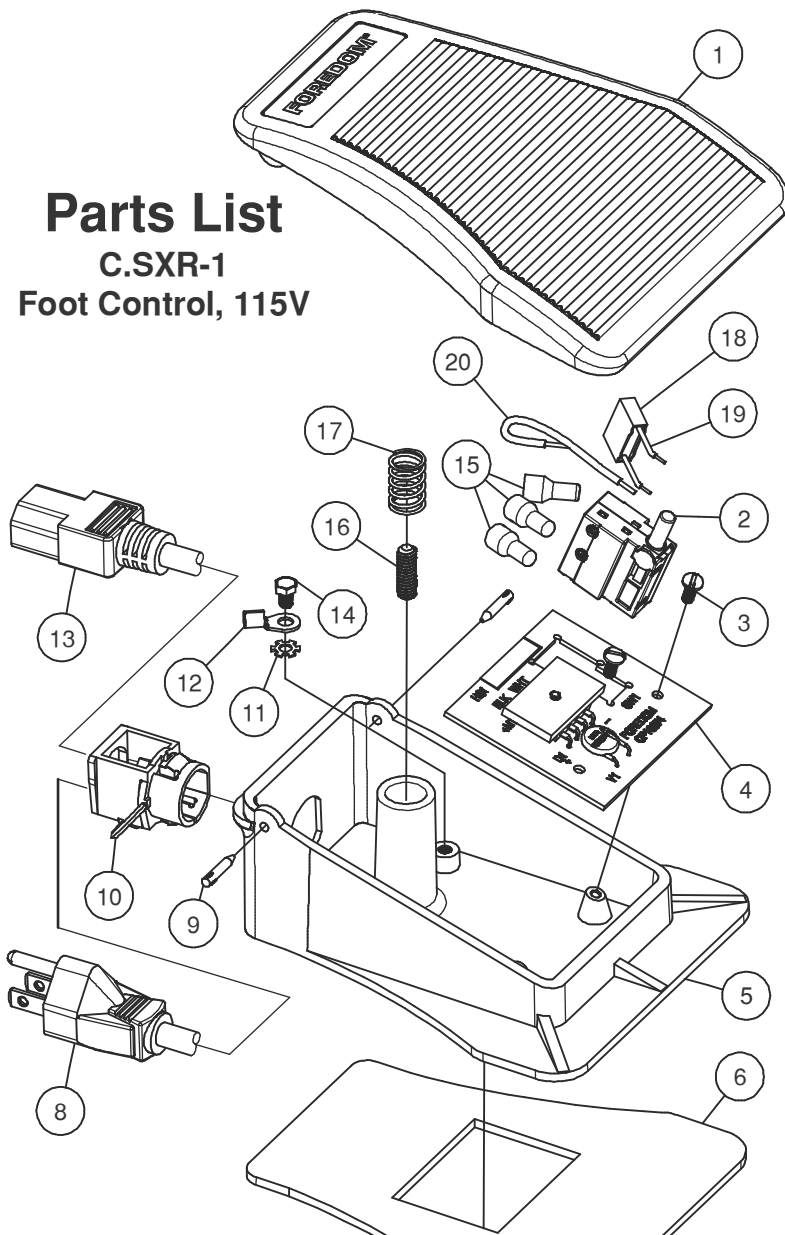
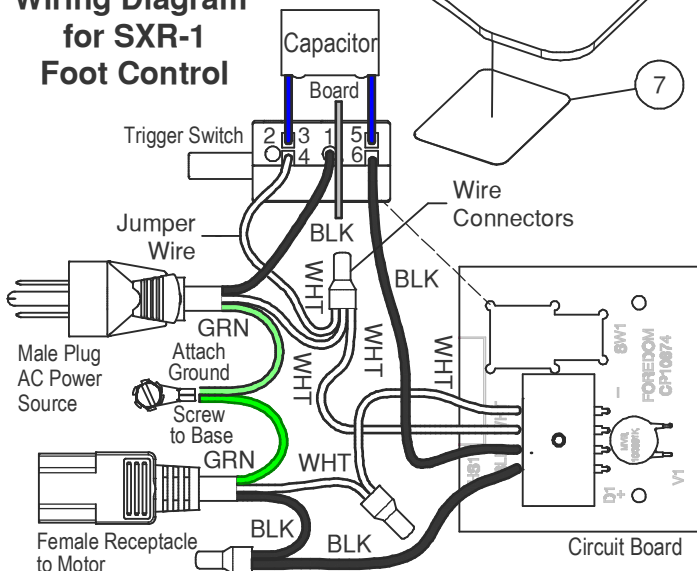


Parts List

C.SXR-1 Foot Control, 115V



Wiring Diagram for SXR-1 Foot Control



Instructions for Replacing Trigger Switch

Disconnect Foot Control from Motor and Wall Outlet.

- With a punch and hammer, drive two Pins (9) in until Cover (1) lifts from Base (5). Remove Pins from Cover by driving them outward.
- Remove two Screws (3) from Board (4). After the wires have been removed from the switch, as instructed in paragraph C, remove the switch from the board, insert the new switch in its place, and follow the instructions in paragraphs E and F.
- On older Switches, all the terminals will be push-in, spring clamp type. For newer Switches, Terminal 1 has a screw for fastening the wire lead. To remove wires from the push-in terminals, insert 1.3mm [.05in] approximate diameter pin or the blade of a jeweler's screwdriver all the way into the terminal socket to release the spring clamp. Grasp the tool and wire and pull them together out of the socket. If you have difficulty removing the wires from the push-in terminals and you have wire-cutting, stripping, and soldering tools, you can cut the wires off where they exit from the terminals. To prepare the cut wires for installation into the replacement Switch, strip them back exactly 8.25 mm [5/16 in]. For the wires to be inserted into push-on terminals only, apply solder to the stripped ends to fuse the strands together. **DO NOT** solder wire ends to be inserted into screw terminals.
- Insert new Trigger Switch into Board.
- Connect Wires to New Trigger Switch and Circuit Board as shown in the Wiring Diagram.** Push wires all the way in, so that no bare wire is exposed. For Screw Terminal 1, push wire lead all the way into the socket then tighten the screw firmly. Push the other wire lead all the way into terminal 6. Simultaneously push the Capacitor leads all the way into terminals 3 and 5. Pull on all the wire leads, making sure they are secure.
- Locate the White Wire from the Male AC Power Cord then follow it to the Wire Connector. Cut both white wires nearest the connector then strip both wire ends 8.25mm [5/16in]. Insert three white wires into newly supplied connector and crimp.
- Install Board and Switch into Base using two Screws (3).
- Position wires around post of Base so wires will not interfere with Cover travel.
- Install Cover over Spring (17) and align holes to Base. Insert Pins (9) and seat them with hammer.

| Item | Part No. | Description | Qty |
|------|-----------|---------------------|-----|
| 1 | CP10691 | Cover | 1 |
| 2 | CP11251 | Trigger Switch | 1 |
| 3 | CP10570 | Screw, 6-32 x 5/16" | 2 |
| 4 | CP10874 | Circuit Board, SxR | 1 |
| 5 | CP10690 | Base | 1 |
| 6 | CP10753 | Pad | 1 |
| 7 | SxR-1.LAB | Specification Label | 1 |
| 8 | CP10541 | Male Cordset | 1 |
| 9 | CP10584C | Hinge Pin | 2 |
| 10 | CP10578 | Grommet | 1 |
| 11 | CP10564 | Lock Washer, #8 | 1 |
| 12 | CP10580 | Ring Terminal | 1 |
| 13 | CP10830 | Female Cordset | 1 |
| 14 | CP10563 | Screw, 8-32 x 1/4" | 1 |
| 15 | CP11029 | 2 Wire Connector | 3 |
| 16 | CP10562 | Set Screw | 1 |
| 17 | CP10588 | Spring | 1 |
| 18 | CP11248 | Capacitor | 1 |
| 19 | CP11249R | Shrink Tubing | 2 |
| 20 | CP11036 | Wire, White | 1 |

CP11251-REP Trigger Switch Replacement Kit includes Items (2), (15), (18), (19), and (20).