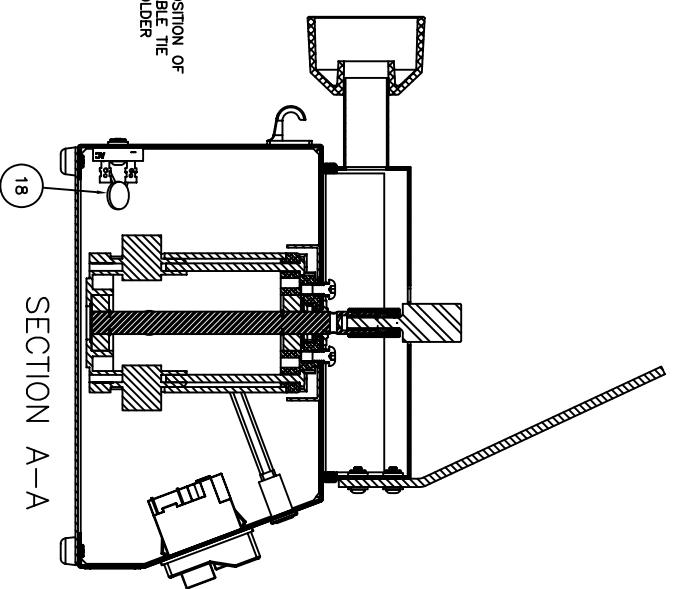
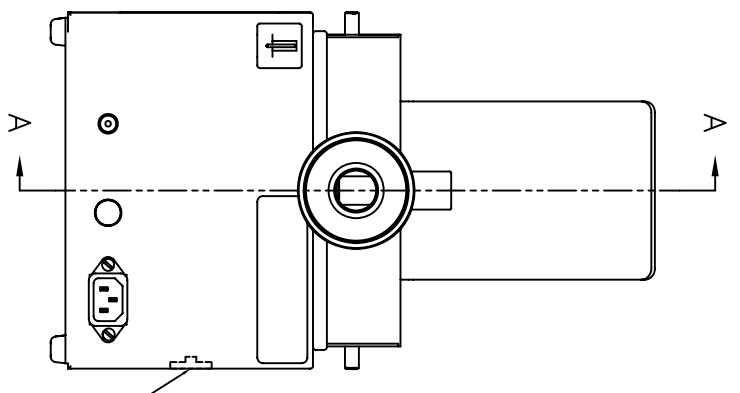
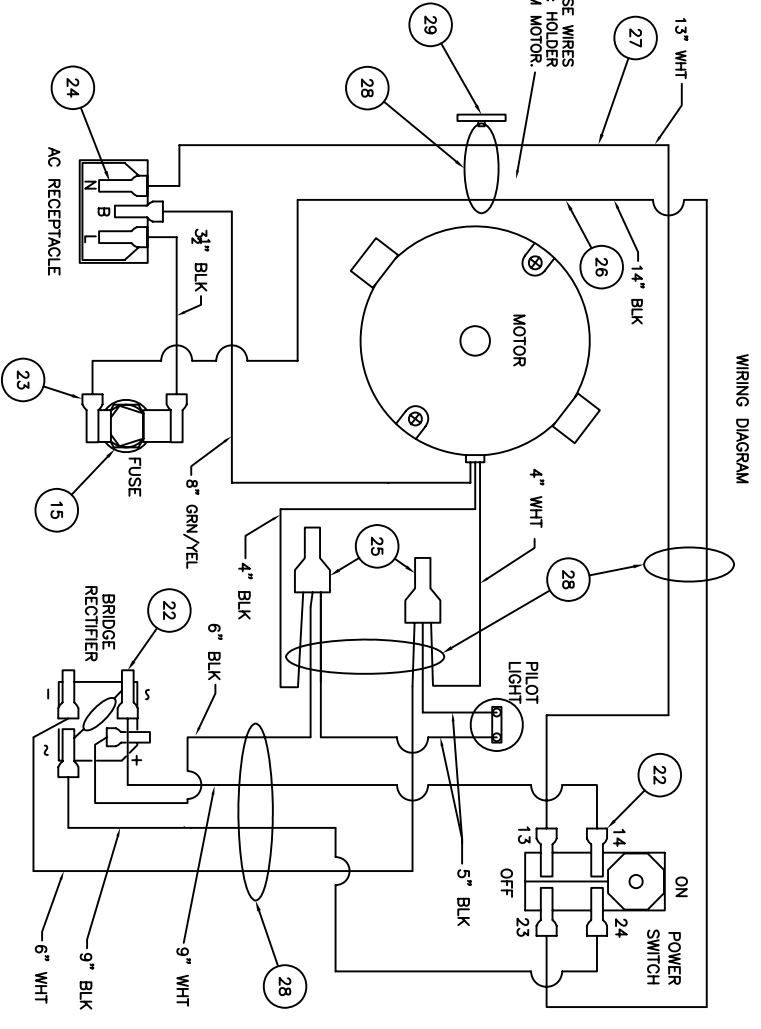
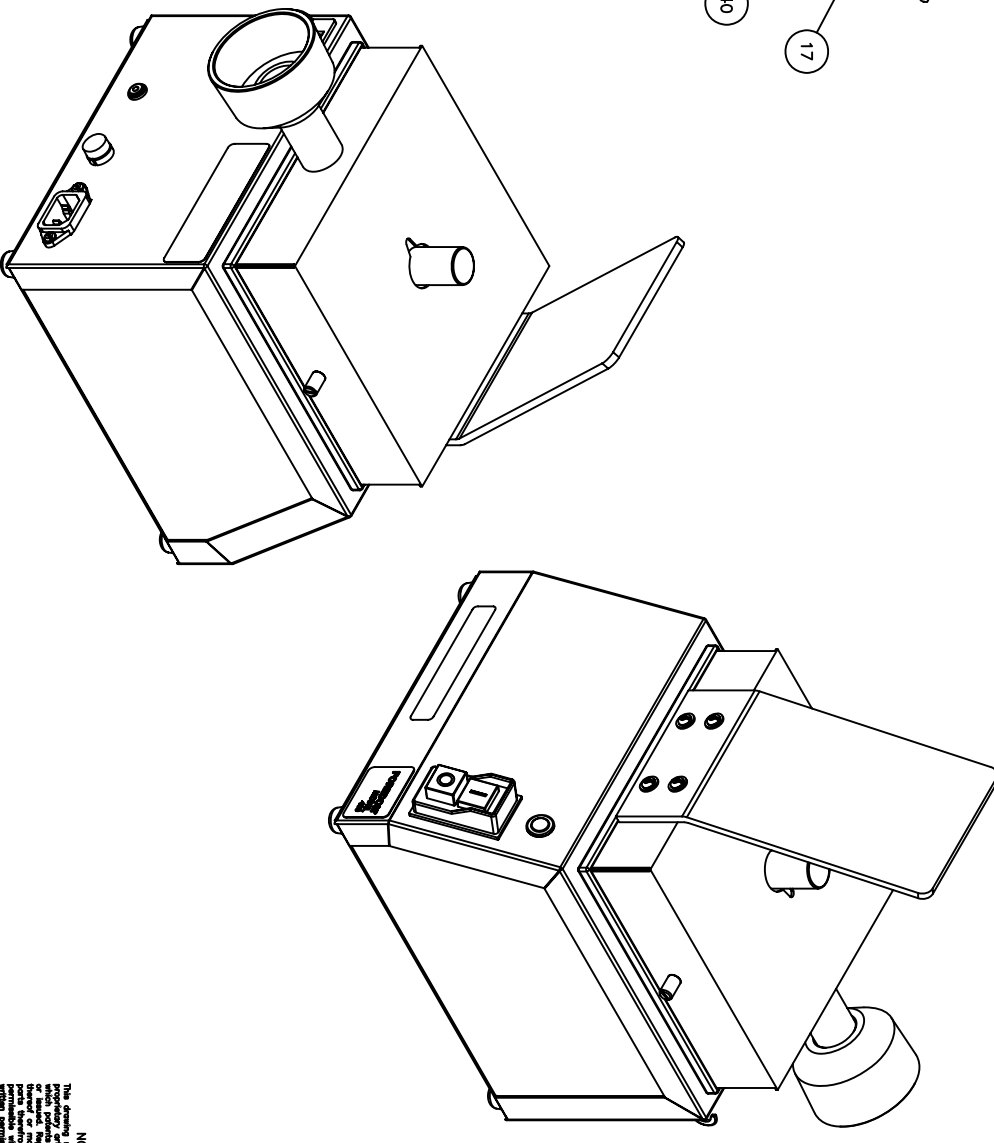
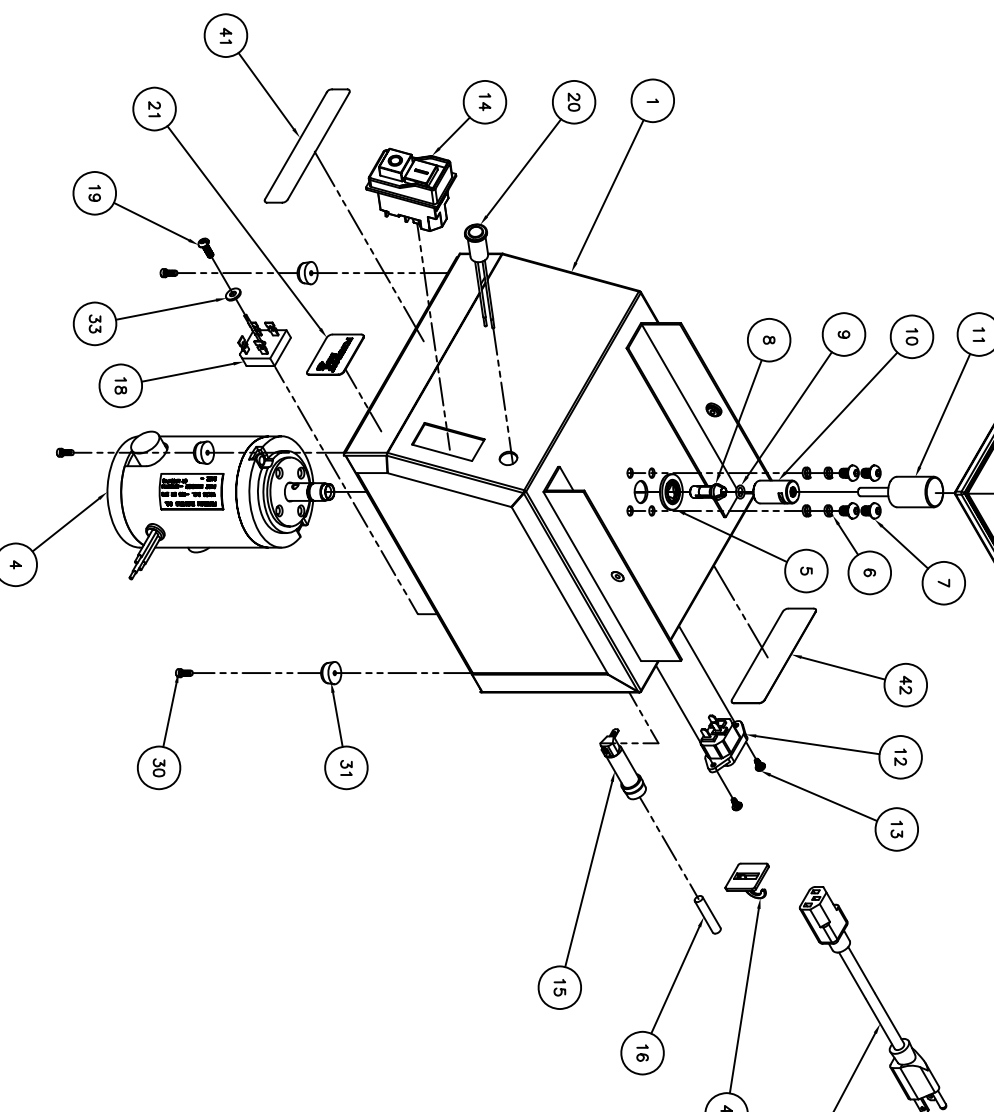


NOTE
 1. TRIM GROMMET STRIP (ITEM 3) TO 27-1/2", DO NOT STRETCH.
 2. ORIENT CUT IN GROMMET STRIP (ITEM 3) UNDER VACUUM PORT OF COVER ASSEMBLY (ITEM 2).



REV.	DESCRIPTION	REVISION	APPROVED	DATE
A	REVISED WIRING		K.C.	12-20-01
B	REVISED WIRING		K.C.	1-4-02
C	ADDED FOOT, RUBBER		K.C.	7-12-02
D	SEE ECU 02050		K.C.	1-9-03
E	ADDED SEAL, 8\"/>			



NOTICE
 The drawing may represent a preliminary design and is subject to change without notice. Reproduction of this drawing without the written permission of Blackstone Industries, Inc. is prohibited. ©2001, Blackstone Industries, Inc.

ITEM	QTY	DESCRIPTION	PART NO.	UNIT
42	1	TRIMMER HEAD ASSEMBLY	10A000065	1
41	1	AC RECEPTACLE	10A000044	1
40	1	HOOK, SELF-STICK	CP10582	1
39	1	CARBIDE BUR, CYLINDRICAL SQ, 1 1/4\"/>		

Blackstone Industries, Inc.
 Detroit, Connecticut 06801
 ARCH TRIMMER ASSEMBLY, 115V
 SCALE 1 TO 2
 REV. 1