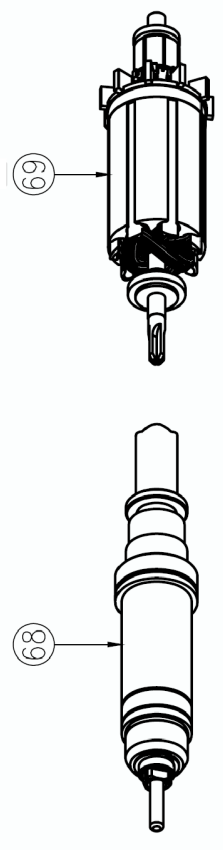
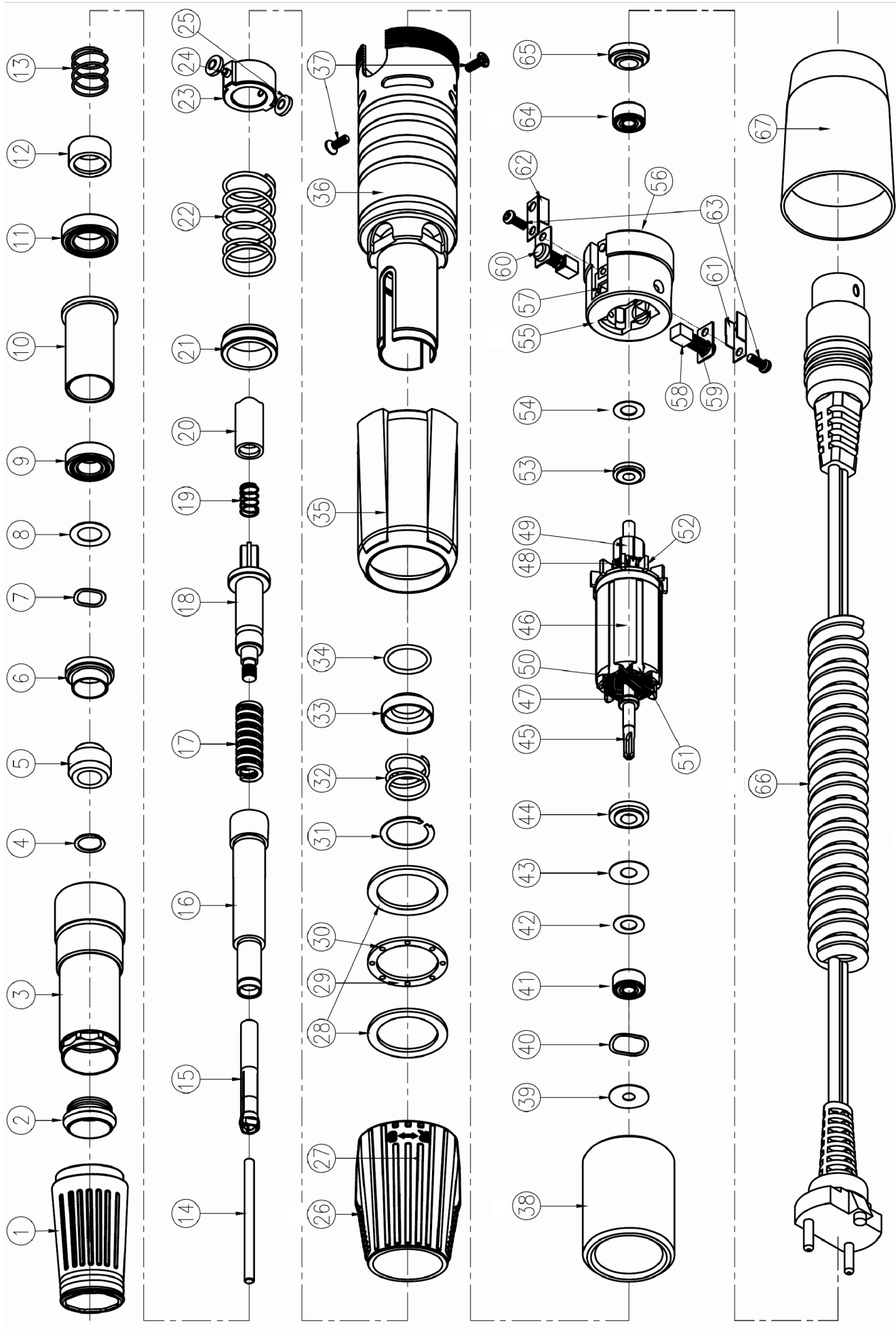


# Parts List MH-170 Micromotor Handpiece

for Serial No. 910XXXX and above

Item	Part Name	Part Number	Qty
1	HAND CAP COVER ASSEMBLY	HP4-101	1
2	HAND CAP COVER		1
3	HAND CAP HEAD		1
4	HAND CAP BODY		1
5	CHUCK HOUSING C-RING	HP4-104	1
6	COLLAR	HP4-105	1
7	BEARING FIX WASHER	HP4-106	1
8	1260 WAVE WASHER	HP4-107	1
9	1260 WASHER	HP4-111	1
10	BALL BEARING(1260ZZ)	HP4-201	1
11	BUSH		1
12	BALL BEARING(1480ZZ)	HP4-202	1
13	SPRING SHEET		1
14	COIL SPRING		1
15	TEST BUR		1
16	COLLET CHUCK 2.35	HP4-117	1
17	CHUCK HOUSING	HP4-115	1
18	CHUCK SPRING		1
19	JOINT SHAFT	HP4-121	1
20	CONNECTOR COIL SPRING	HP4-122	1
21	CONNECTOR	HP4-123	1
22	BEARING BUSH COLLAR	HP4-124	1
23	BEARING BUSH COLLAR COIL SPRING	HP4-125	1
24	ROLLER BODY ASSEMBLY	HP4-128	1
25	ROLLER BODY		1
26	ROLLER BODY PIN		2
27	ROLLER GUIDE		2
28	SET RING	HP4-130	1
29	CAM		1
30	SLIDE WASHER		1
31	SLIDE BODY	HP4-133	2
32	MOTOR CASE C-RING		1
33	MOTOR CASE COIL SPRING		1
34	MOTOR CASE SPRING SHEET		1
35	1030 FIX O-RING		1
36	MOTOR CASE COVER		1
37	MOTOR CASE		1
38	MOTOR CASE BOLT	HP4-205	2
39	MAGNET		1
40	COPPER WASHER	HP4-144	1
41	1030 WAVE WASHER	HP4-145	1
42	BALL BEARING(1030ZZ)	HP4-208	1
43	1030 COPPER WASHER	HP4-149	1
44	1030 TEFLON WASHER	HP4-150	1
45	1030 SPACER	HP4-152	1
46	SHAFT		1
47	CORE		72
48	FRONT SHAFT BUSH		1
49	REAR SHAFT BUSH		1
50	COMMUTATOR		1
51	COIL		1
52	WEDGE		7
53	FAN		1
54	830 SPACER	HP4-162	1
55	TEFLON WASHER		1
56	BRUSH HOLDER ASSEMBLY	HP4-171	1
57	BEARING HOUSING		1
58	BACK BEARING SIT		1
59	BRUSH HOLDER		2
60	BRUSH ASSEMBLY	HP4-163	2
61	CARBON BRUSH		2
62	BRUSH SPRING		2
63	BRUSH CAP		2
64	TERMINAL(L)		1
65	TERMINAL(R)		1
66	CARBON BRUSH BOLT	HP4-206	2
67	BALL BEARING(1030ZZ)	HP4-208	1
68	BEARING BUSH BOLT		1
69	MOTOR COIL	HP4-174	1
70	CARBON HOUSING COVER		1
71	SPINDLE ASSEMBLY	HP4-992	1
72	AMATURE ASSEMBLY	HP4-153	1

Part No.	Collet Size	Option
HP4-117	2.35mm (3/32")	Standard
HP4-117B	3.18mm (1/8")	Available
HP4-117C	3.00mm	Available



# FOREDOM

The Foredom Electric Company  
 16 Stony Hill Rd., Bethel, CT 06801  
 Tele: 203-792-8622 Fax: 203-796-7861  
[www.foredom.com](http://www.foredom.com)