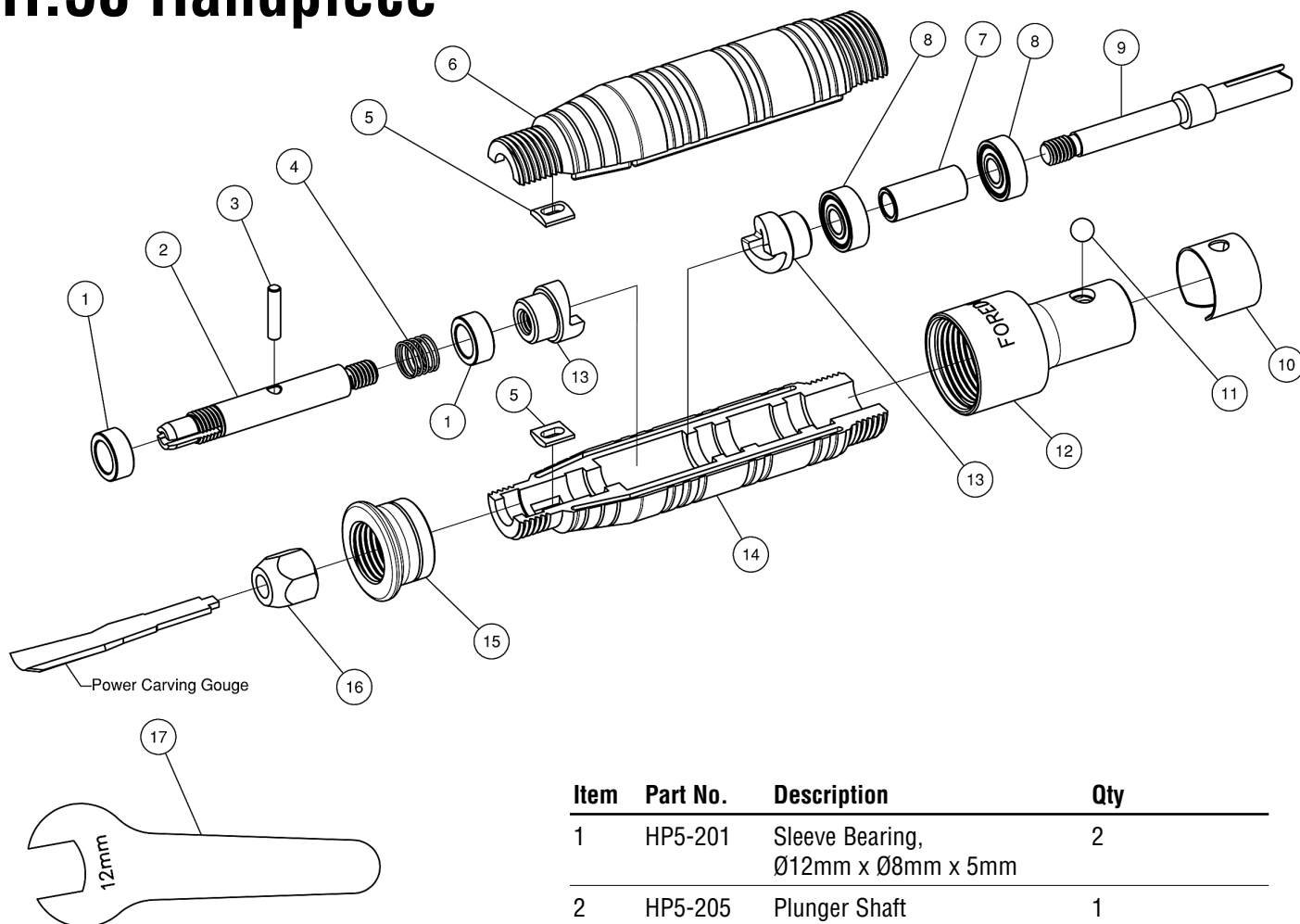


Parts List Freedom H.50 Handpiece



Item	Part No.	Description	Qty
1	HP5-201	Sleeve Bearing, Ø12mm x Ø8mm x 5mm	2
2	HP5-205	Plunger Shaft	1
3	HP5-206	Plunger Pin	1
4	HP5-204	Plunger Spring	1
5	HP5-216	Pin Guide Insert	2
6	HP5-202	Top Housing, Male	1
7	HP5-207	Spacer	1
8	HP5-224	Ball Bearing, Ø15mm x Ø6mm x 5mm	2
9	HP5-220	Slotted Drive Spindle	1
10	HP43	Catch Spring	1
11	HP48	Catch Ball	1
12	HP5-210	Q. D. Connector	1
13	HP5-228	Actuating Cam	2
14	HP5-212	Bottom Housing, Female	1
15	HP5-226	Housing Ring	1
16	HP5-218	Locking Nut	1
17	HP50012	Wrench, 12mm	1

FOREDOM[®]
The Freedom Electric Company

16 Stony Hill Road, Bethel, CT 06801, USA

Tel.: 203-792-8622 • Fax: 203-796-7861

www.freedom.net

Email: customerservice@blackstoneind.com