

FOREDOM®

AllSet®

AK844

Fence Guide Assembly Instructions



Foredom Electric Company

16 Stony Hill Road, Bethel, CT 06801 USA

Tel: 203-792-8622 • Fax: 203-796-7861

Email: customerservice@blackstoneind.com

www.foredom.net



Fence Guide Assembly Instructions



Note:

The AllSet Fence Guide Assembly is for use with the Allset Milling Assembly and Foredom's No. 30® Handpiece.

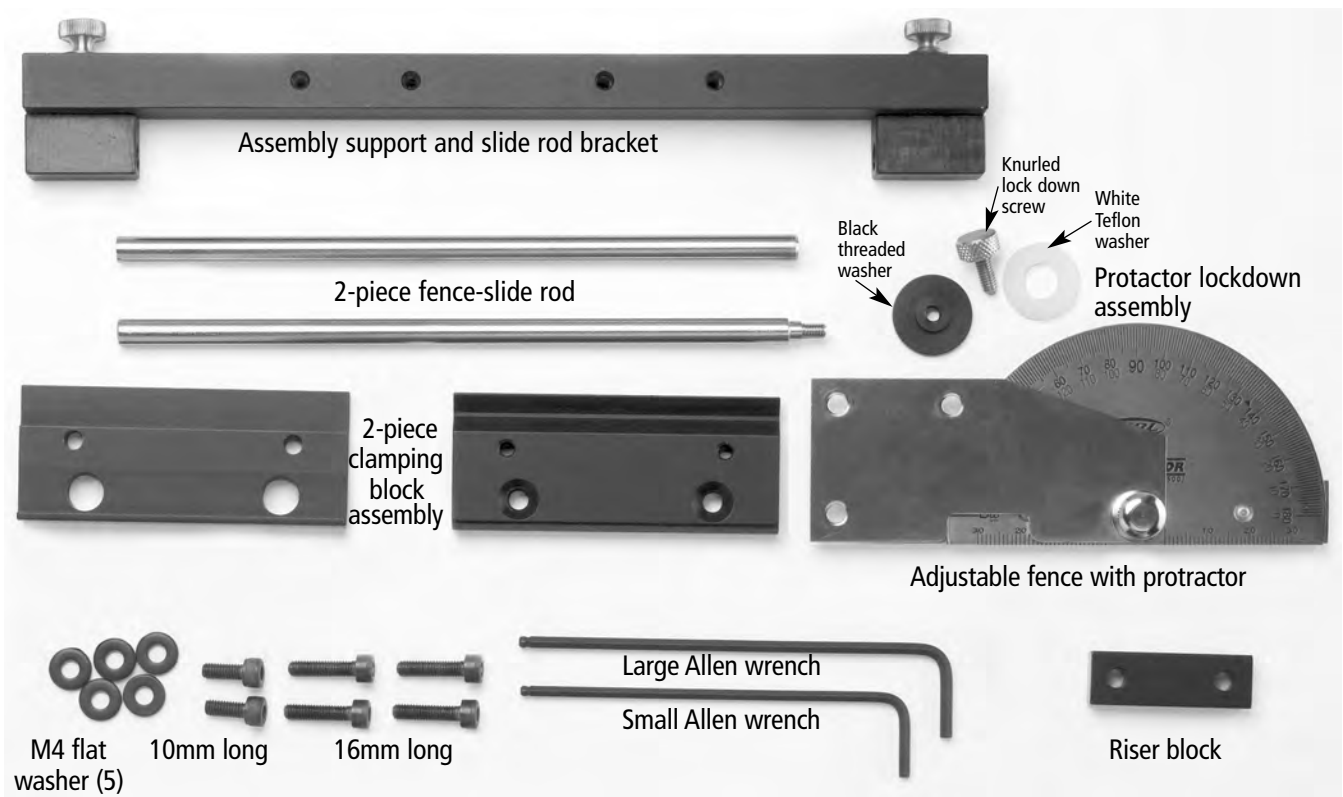
The Allset Fence Assembly attaches easily to your Allset Milling Assembly, converting it into a fully operational table saw & planer. Use it with a wide variety of burs and saw blades to cut, grind or plane gold, platinum, silver, wax and more with greater precision and accuracy than ever before.

Its fully adjustable design can be positioned anywhere within a 180° range.

Installs onto the Milling Assembly in just minutes and can be set up on either side of the milling table for maximum flexibility—to change from one side to the other takes just seconds.

Quality-made in the USA of highly durable materials for a tool that stands up to multiple demands and frequent re-configurations.

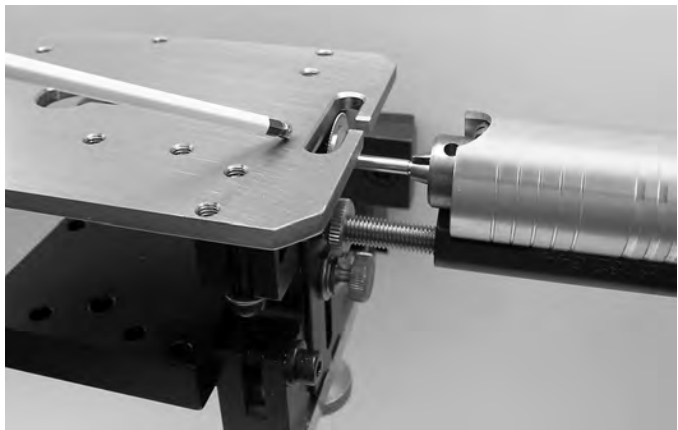
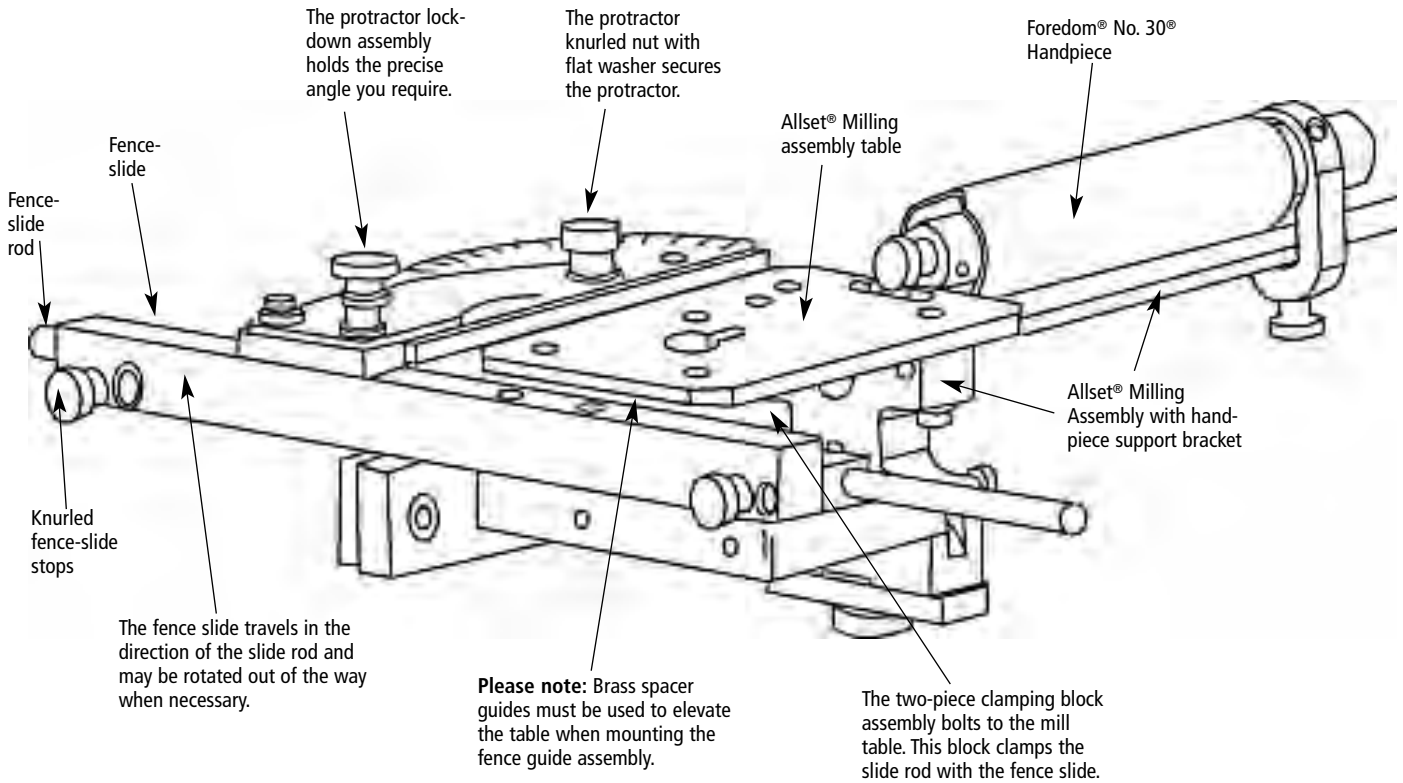
Hardware List: Components supplied in your Fence Guide Assembly Kit



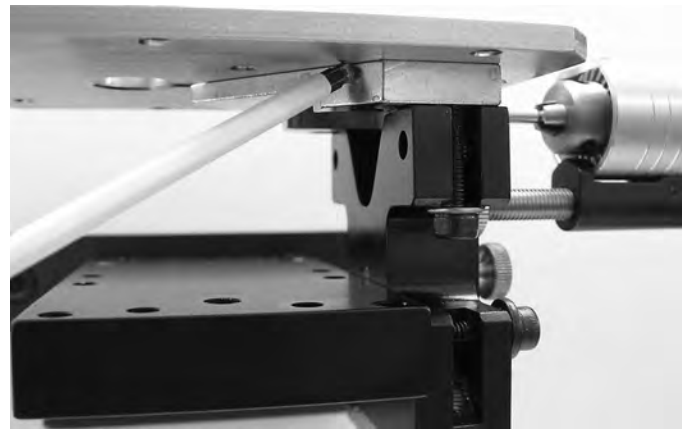
Safety Notes:

1. Always wear eye protection when carving, cutting, grinding, sanding or when using any power tool.
2. Wear a safety mask while using tools to avoid inhaling sanding dust and other fine particles.
3. To avoid injury, please pay careful attention to hand placement, avoid distractions and do not operate the assembly without your full attention.
4. Always allow the handpiece motor to come to a full stop before making any adjustments on the fence guide assembly.
5. For safety and effectiveness of the tool, maintain a clean surface and general work area.

Overview



To use the AllSet Fence Guide Assembly, set up your Milling Assembly Kit (Part No. 842) so that the milling table is in the horizontal position required for sawing and planing (setup G, page 13 of Milling Assembly Instructions).



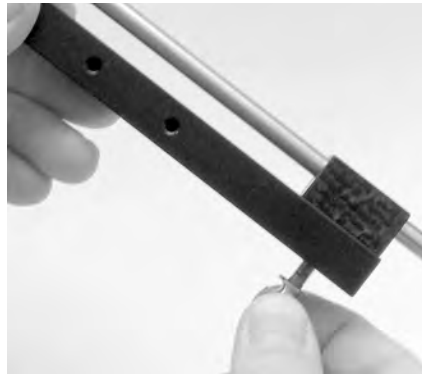
Be sure the brass space guide (included with the milling assembly) is in place, triangle side facing in toward the center of the table. Only one spacer guide is required for most operations.

Assembly

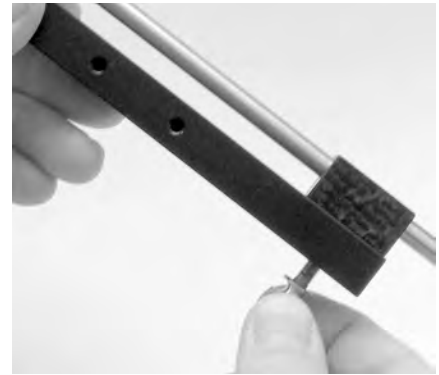
Step One:



Connect the threaded ends of the 2-piece fence slide rod. Tighten securely together by hand.

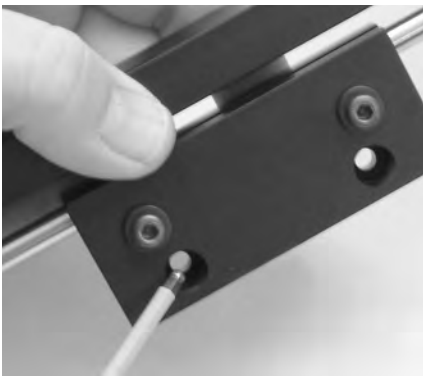


Loosen the two knurled brass hold-down screws at either end of the fence slide assembly and insert the fence slide rod through the two ends. Center the rod in the fence slide and hand tighten the hold-down screws to secure the rod.



Attach the two-piece clamping block to the fence slide rod by placing the grooves of each piece onto the rod. Hold the two pieces firmly together and connect them with two 16mm socket head screws and washers at the two holes closest to the slide rod. At this stage, do not overtighten, but leave the block free to move slightly.

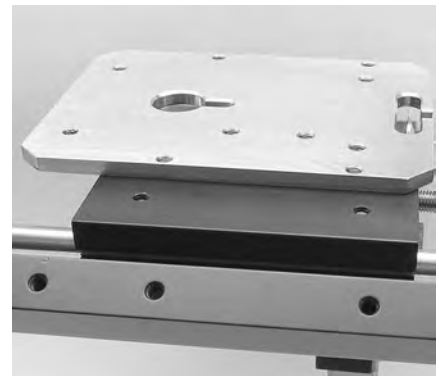
Step Two:



To attach the completed fence slide assembly to the milling assembly's table, begin by inserting a 10mm socket head screw into one of the beveled holes on the clamping block.



Place the clamping block beneath the milling table, align the threaded hole in the table with the screw in the clamping block and attach both screws, tightening them securely.



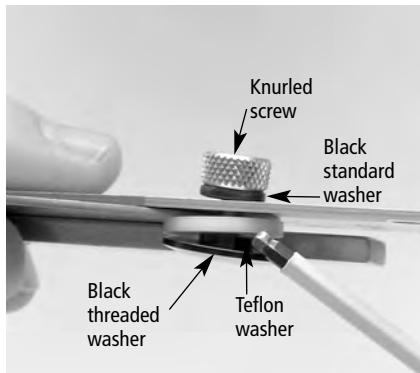
The fence assembly should look like this after it has been attached to the milling table. **Please Note:** The fence assembly can be attached to either the left or right side of the milling table, depending upon your preference.

Assembly Continued

Step Three:



Assemble the lockdown assembly for the protractor. Begin by setting out the protractor itself along with the knurled lockdown screw, white Teflon washer, black threaded washer and one black flat washer.

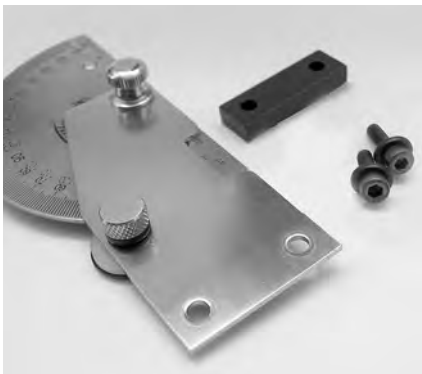


Run the lockdown screw (with the standard washer) through the hole on top of the protractor mounting plate. Hold the white Teflon washer (first) and the black threaded washer (second) beneath the plate and thread the lockdown screw into the washer.



The lockdown assembly should look like this when complete. At this stage, do not overtighten the assembly, but leave it a little loose so the protractor can still turn in the mounting plate.

Step Four:



To attach the protractor to the fence slide assembly, locate the riser block and two 16mm socket head screws and two standard washers.

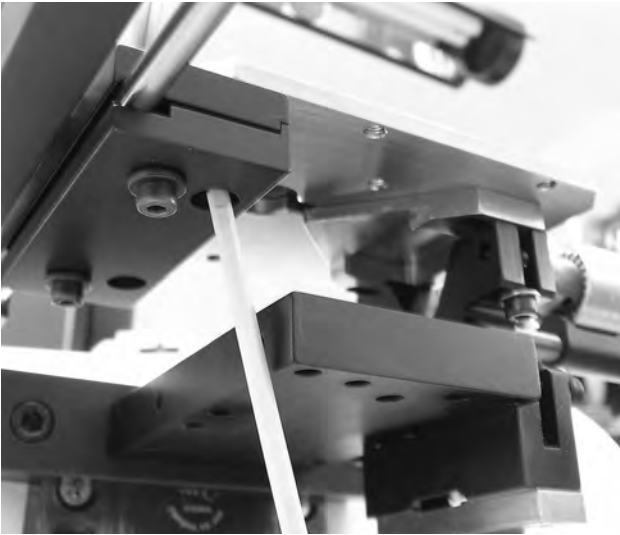


Align the two holes on the outside edge of the mounting plate over the threaded holes on the fence slide and attach it with the 16mm screws and washers. Do not tighten the screws down until you align the protractor (next photo).

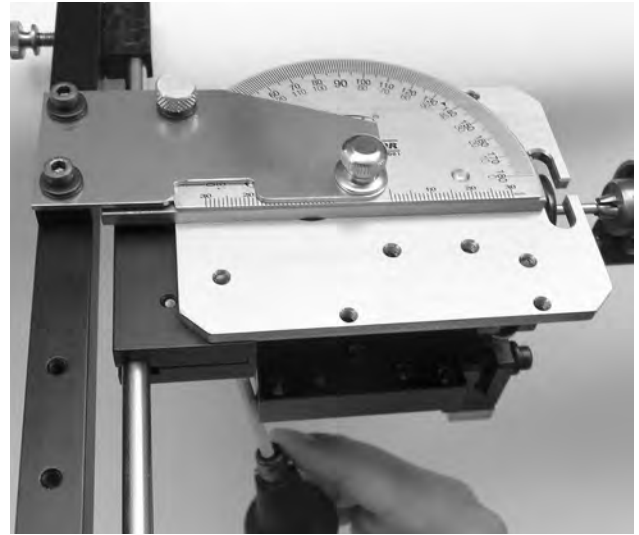


To align the protractor, set it to the 0° mark etched in its surface and align the protractor edge to be perfectly perpendicular with the table's edge. Once the protractor is aligned correctly you can tighten down the two 16mm screws.

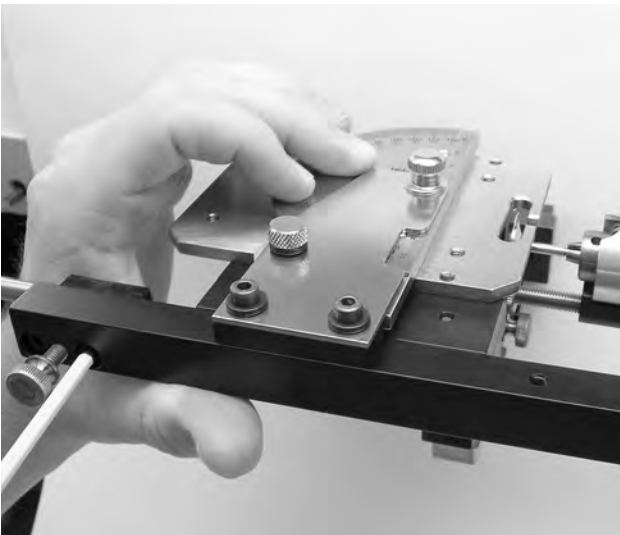
Adjustments and Fine Tuning



To reposition the fence assembly, loosen the two 10mm screws that hold it to the milling table.



The fence assembly can then be positioned onto the other side of the milling table or at the front end of the table as shown here. **Please Note:** Once your fence assembly is set up, these are the only two screws that are required for tool changeover.



To help align the slide assembly and to ensure that the protractor is flat on the milling table, loosen the screws on the side of the bearing blocks, make your adjustments, and tighten the screws back down again.

CCustomize Your Own Setting Operation with AllSet® Kits!

Customize your AllSet just the way you want it! Choose exactly what you need to maximize your efficiency and guarantee great results. If you already have a Foredom® handpiece or some of the equipment included in the kits, just add the AllSet® components you want from the selection below.



Master Kit AK820
Includes a No. 30° handpiece, AllSet Basic Guide Assembly, complete set of guides, instruction manual, and video.

Master Kit AK825
Without Foredom No. 30° handpiece.



Model-Maker's Milling Assembly AK842
Multi-purpose milling accessory for working in metal and wax. Includes AllSet® handpiece attachments.



Prong-Setting Kit AK826
Includes AllSet® Basic Guide Assembly for the No. 30° handpiece, 13 prong-setting guides, guide locking nut, Allen wrench and instructions—all in a fitted box.

Set of Prong Guides Only AK827



Fence Guide Kit AK844
Converts the milling assembly (above) into a fully operational table saw and planer. Use with cutters and burs to cut, grind or plane gold, platinum, silver, wax and more.



Channel-Setting Kit AK828
Includes AllSet® Basic Guide Assembly for the No. 30°, three channel-setting guides, (small, large for baguette and knife-edge), guide locking nut, Allen wrench and instructions—in a fitted box.

Set of Channel Guides Only AK829



Sander/Planer Kit AK846
Grind, sand and polish with this compact sander. Adjusts easily from 0° to 90° angle and has three-position guide for compound angles. Works with the No. 30° handpiece. Includes planer attachment, a complete set of 3M sanding/ lapping films, Trizact A5 disc, and AllSet® handpiece attachments.



Pavé-Setting Kit AK832
AllSet® Basic Guide Assembly for the No. 30° handpiece, seven pavé guides, guide locking nut, Allen wrench and instructions—all in a fitted box.

Set of Pavé Guides Only AK833



AllSet® Adapter AK845
Get easy, hands-free operations for many configurations when used with the milling assembly (AK842) or Sander/ Planer (above). Adjusts to various angles, heights and positions. Slides into a GRS mounting plate (sold separately).



Easy-Cut Prong Guide Kit AK847
AllSet® 2" prong guide table, depth and prong guide, guide locking nuts, Allen wrench and instructions— in a fitted box. Handpieces and guides sold separately.

The AllSet® Accessory Video VID125
AllSet® co-inventor, award-winning jeweler and tool designer, Jeffrey Mathews, shows you how to use this revolutionary system to speed stone-setting and increase accuracy. VHS, 31 minutes.

Quick Change Adapter Kits for use with Handpiece Nos. 10, 18, and 52



Quick-Change Adapter Kit AK841 for No. 10 Handpiece
Includes AllSet® threaded handpiece adapter, Easy-Cut prong guide and three channel setting guides: small, large (for baguette settings) and a knife-edge guide. No. 10 handpiece sold separately.



Quick-Change Adapter Kit AK839 for No. 18 Handpiece
Includes AllSet® threaded handpiece adapter, Easy-Cut prong guide and three channel setting guides: small, large (for baguette settings) and a knife-edge guide. No. 18 handpiece sold separately.



Quick-Change Adapter Kit AK840 for No. 52 Handpiece
Includes AllSet® threaded handpiece adapter, Easy-Cut prong guide and three channel setting guides: small, large (for baguette settings) and a knife-edge guide. No. 52 handpiece sold separately.