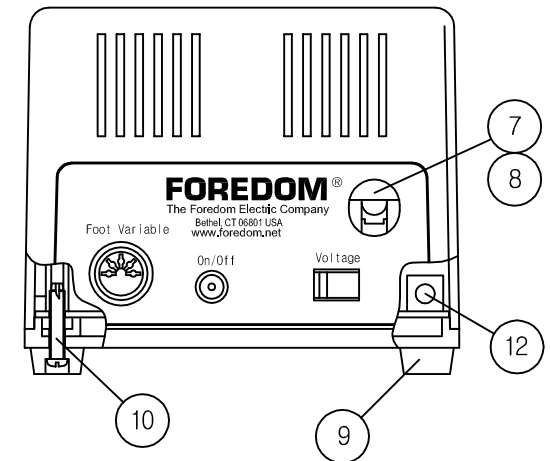
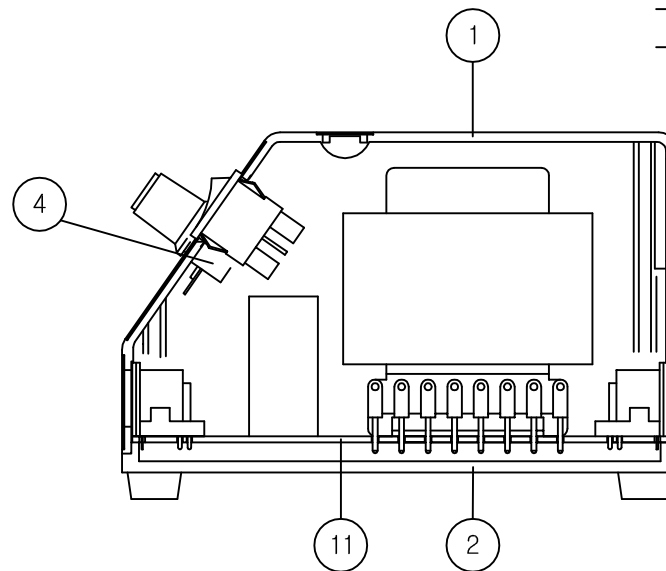
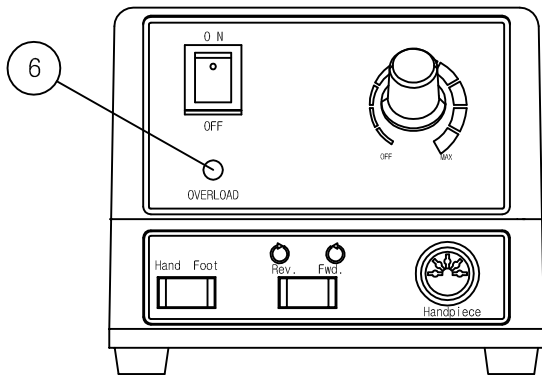
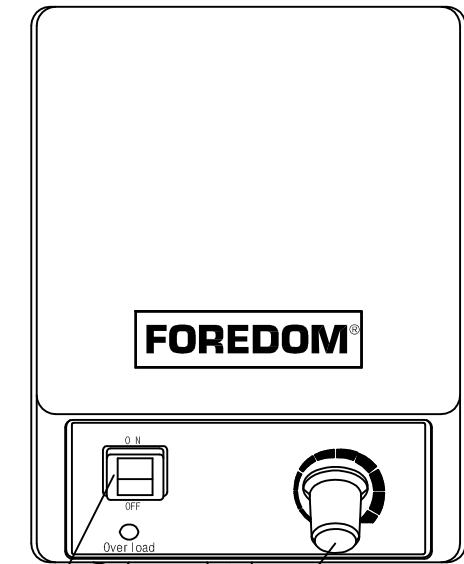


# Parts List

HP4-917

**Micromotor Control Unit**  
**For use with Micromotor Kits**  
**K.1020, K.1070, K.1080, and K.1090**

Item	Part No.	Description	Qty
1		Case	1
2		Baseplate	1
3	UA10412	Control Knob	1
4	HP4-109	Speed Potentiometer	1
5	HP4-108	Power Switch	1
6		Overload Indicator Light	1
7		Strain Relief	1
8	HP4-937	Power Cordset	1
9	UA278	Rubber Foot	4
10		Screw	4
11	HP4-120	Circuit Board Assembly	1
12	HP4-110	Fuse 3.15A	1



**FOREDOM**® Foredom Electric Company

16 Stony Hill Rd., Bethel, CT 06801 • 203-792-8622

Fax: 203-796-7861 • www.foredom.net

Form DN 3/2015