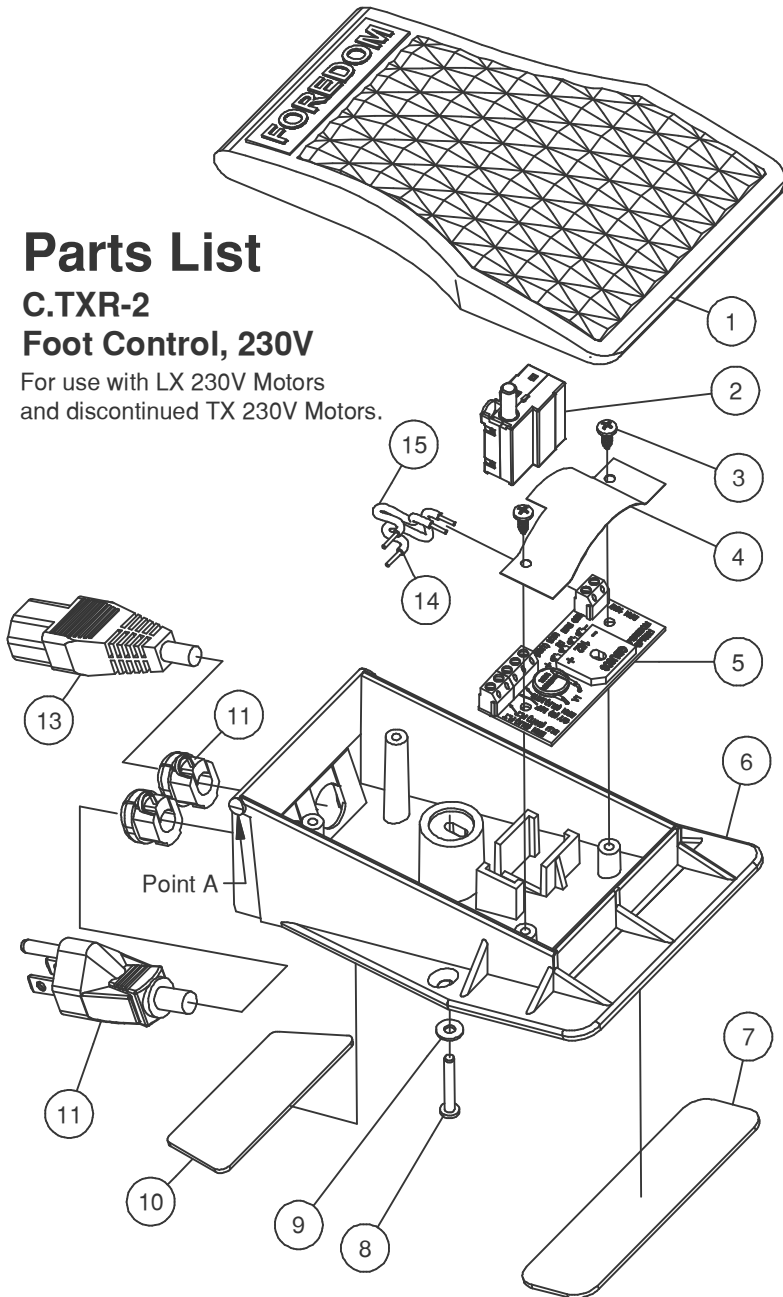


Parts List

C.TXR-2 Foot Control, 230V

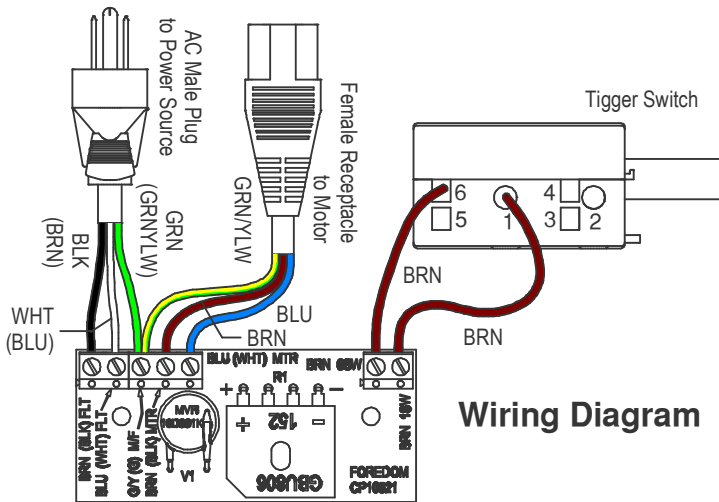
For use with LX 230V Motors and discontinued TX 230V Motors.



Instructions for Removing and Replacing Trigger Switch

Disconnect Foot Control from Motor and Wall Outlet.

1. Unscrew cover adjustment screw (8).
2. Using flat blade of screwdriver inserted at Point A between Cover (1) and Base (6), carefully pry Cover off.
3. Remove Trigger Switch (2) from Base mounting bracket.
4. On older Switches, all the terminals will be push-in, spring clamp type. On newer Switches, some terminals have screw fasteners. To remove wires from the push-in terminals, insert 1.3mm [.05in] approximate diameter pin or the blade of a jeweler's screwdriver all the way into the terminal socket to release the spring clamp. Grasp the tool and wire and pull them together out of the socket. If you have difficulty removing the wires from the push-in terminals and you have wire-cutting, stripping, and soldering tools, you can cut the wires off where they exit from the terminals. To prepare the cut wires for installation into the replacement Switch, strip them back exactly 8.25 mm [5/16 in], then apply solder to the stripped ends to fuse the strands together.
5. **Connect Wires to New Trigger Switch as shown in the Wiring Diagram.** Push wires all the way in, so that no bare wire is exposed. On Screw Terminal 1, push the wire lead all the way into the socket then tighten the screw firmly. Push the other wire lead all the way into terminal 6. Pull on all the wires, making sure they are secure. Place Switch back into Base mounting bracket.
6. Position wires around adjustment screw post so wires will not interfere with cover travel.
7. Snap cover (1) onto hinge posts on top of rear corners of base (6).
8. Insert adjustment screw (8) through washer (9) and into post slot and threaded insert in cover (1). Tighten with screwdriver until cover is just touching the trigger switch pushrod. **Do not tighten the screw further** to avoid pressing the Switch Pushrod into a permanently "on" position.



Wiring Diagram

Item	Part No.	Description	Qty
1	CP10852B	Cover	1
2	CP11027	Trigger Switch, 250V	1
3	CP10571	Screw, #6-32 x 5/16, Slotted	2
4	CP10525	Fish Paper	1
5	CP10521	Circuit Board	1
6	CP10851	Base	1
7	CP10859	Front Base Pad	1
8	CP10856	Screw, #6-32 x 1"	1
9	CP10862	Washer, #6	1
10	CP10860	Rear Base Pad	1
12	CP10003-3	Strain Relief	2
11	CP10541	Male Cordset or Substitute Option	1
13	CP10868	Female Cordset	1
14	CP11163	Wire 3", Brown, Tinned	1
15	CP11162	Wire 3", Brown	1

Cordset Option	Part No.	Cordset Description
CPOption20	CP10545	No Plug, Europe
CPOption21	CP10553	Male, United Kingdom
CPOption22	CP10554	Male, Continental Europe
CPOption25	CP10555	Male, India 10A
CPOption26	CP10556	Male, Australia